

AMADA MACHINE TOOLS AMERICA, INC.



THE VISION OF PRECISION

Lineup of Saws



Amada Machine Tools America



With more than 70 years of industry experience, Amada Machine Tools America is committed to helping our customers deliver dependable service and top-quality work with exceptional sawing solutions.

Whatever your sawing needs, we have the right solution for your specific application.

Market-Leading Quality—We believe quality work begins with quality tools designed and built from the ground up to deliver outstanding performance, time after time.

Proven Accuracy—We help you take your work to the next level and exceed your customers' expectations.

Customer-Driven Innovation—Every feature, function, and configuration we offer has been developed to address the needs of our customers.

Reliable Productivity—We understand productivity is the heart of your business, and we can help you optimize it in multiple ways.

Contents

Amada Machine Tools America	1
Amada Sawing Technology	2
SAWS	3
CTB400 and CTB7040	4
Dynasaw 430 and 530	9
H Series	15
H550EII	18
H1000II	20
H1300II	22
H1600II	24
H2116II	26
HA250W and HA400W	28
HFA Series	33
HFA250W	36
HFA400W	38
HFA500W	40
HFA700CII and HFA1000CII	42
HK400 and HKA400	47
HKB6050CNC	54
PCSAW Series	57
PCSAW330	59
PCSAW430X/AX and PCSAW530X/AX	63
PCSAW700	69
PCSAW720	73
VM Series	77
VM420	84
VM1200	86
VM2500	88
VM2500WT	90
VM3800	92
VM6500	94
TVM7600	96
CMB Series	99
CMB75CNC	102
CMB100CNC	104
CMB150CNC	106
CMB230	108
CM400	110
CHIP COMPACTOR	113
SCP103H	114

A History of Cutting-Edge Manufacturing

Amada Machine Tools was founded on the manufacturing of saws back in 1946. Since that time, our goals have always been to provide our customers with increased productivity and reliability.

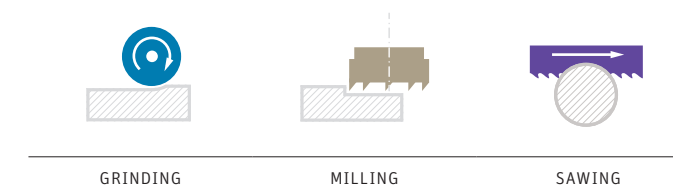
And, as technology has evolved, we've embraced CNC automation as a core strength, improving throughput and helping new operators become productive more quickly.

Today, we are uniquely positioned to help you expand your capabilities and grow your business.

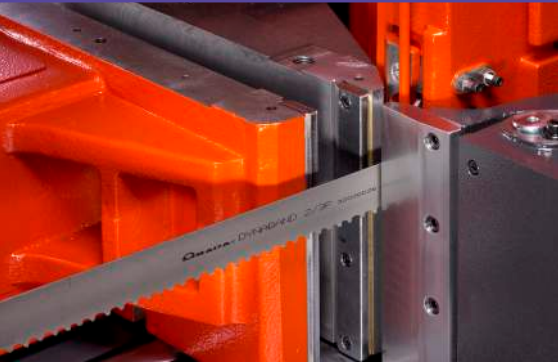
Solutions Designed Around Customer Needs

No two customers' needs are exactly alike. Finding the right solution means thoroughly understanding your objectives and configuring a solution to match them precisely. Our engineers bring decades of industry experience to help you achieve your specified goals with a process that fits—and enhances—your workflow.

TECHNOLOGIES OF AMADA



Amada Sawing Technology



A Perfect Match with Amada Blades

Amada also offers another unique advantage in that we manufacture our own bandsaw blades. This allows you to precisely match the characteristics of the blade to the machine to achieve optimum cutting performance, no matter what material you're working with.

Because we manufacture our own blades, we're able to ensure we've got the right blades—in stock—when you need them. And we have expert engineers with years of industry experience on staff to answer any questions you might have.

Finding the Right Solution

No matter what kind of sawing capabilities you need, these machines deliver the proven quality and accuracy that have made Amada the trusted choice for productivity and reliability.

Series	Description
CTB	CNC-controlled horizontal bandsaws designed for carbide-tipped blades
DYNASAW	Dynamic, high-performance bandsaw machines
H	Highly rigid horizontal bandsaws for a wide range of cutting tasks
HA	Semi-automatic horizontal bandsaws
HFA	Fully automatic horizontal bandsaws
HK	Miter-cutting bandsaws for structural steel sections
HKB	NC bandsaws for bundled tubes, solids, and structural materials
PCSAW	Horizontal bandsaws with Amada's revolutionary pulse cutting technology
VM	Vertical bandsaws for cutting blocks and plates
CMB	Circular saws with exceptional surface finishing
SCP	Automated chip compactor



SAWING TECHNOLOGY

Saws

Throughout the steel processing world, the Amada name is known for quality and dependability. Our lineup of industry-leading saws brings a host of innovations designed to improve your productivity. From operator-friendly controls and intuitive CNC software to our patented pulse-cutting technology that offers dramatically improved cutting times while improving blade life, you can count on Amada saws to deliver.

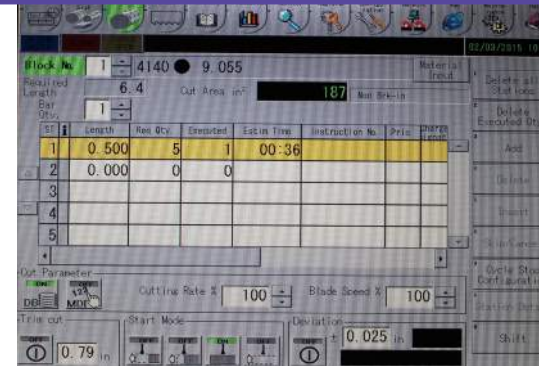


CTB400 and CTB7040 CNC Programmable Automatic Metal Cutting Bandsaws, Carbide

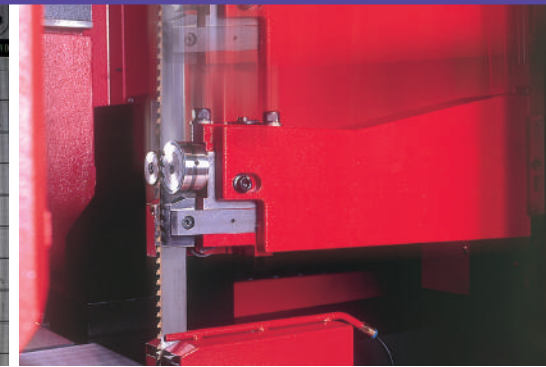
Developed for high production, accuracy, and economical cutting, the CTB400 and CTB7040 are specifically designed to use the multifaceted Amada carbide bandsaw blade.

The combination of these two saws has achieved cutting rates in excess of 14.7 in²/min. (95cm²/min.) and surface finishes in the range of 62 RMS, while holding accuracies well within ± 0.002" (0.05 mm).

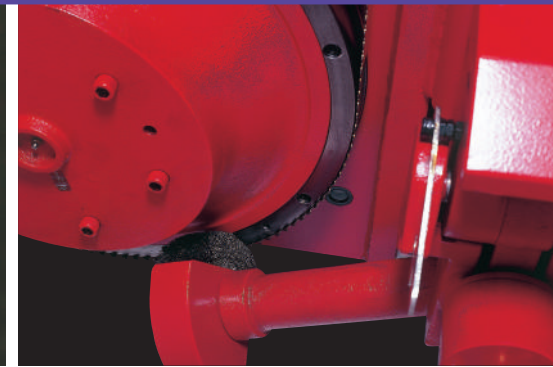
The world's first CNC optimal cutting control (patent pending) presets feeds and speeds according to material specifications. This unit comes with specifications for 253 (AISI) different materials and can store 100 custom material profiles. Feeds and speeds are automatically set to achieve the most economical cutting with the highest productivity possible, while maintaining noise levels below 85 decibels.



Windows®-Based CNC Controller



Automatic Guide Arm Positioning



Automatic Wire Brush

Features

Windows®-Based CNC Controller for Easy Job Setup—Feed and speed are predetermined according to the blade type and material grade. NC functions include:

- Automatic kerf compensation
- Optimized cutting efficiency
- Blade deviation monitoring
- History
- Multiple job selection
- Number of pieces required
- Number of pieces cut

Automatic Guide Arm Positioning—The guide arm automatically adjusts to maintain the maximum beam strength of the blade throughout the cut.

Automatic Wire Brush Setting (patented)—The wire brush automatically adjusts for maximum efficiency and eliminates excessive brush wear.

Chip Conveyor—The chip conveyor continuously extracts the chips to a hopper during the entire cutting operation.

Vise System—The patented vise system increases blade life while effectively controlling remnant lengths as little as 0.59" plus length of parts (15 mm plus length of parts).

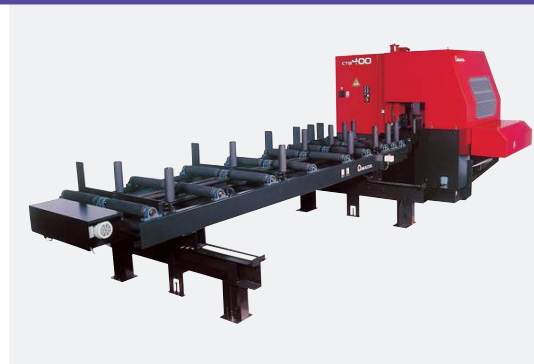
Saw Head Frame—The rigid "C" section frame carries the mountings for the two band wheels, the heavy-duty worm drive gear reducer, the band drive motor, and the saw guide arm mounting supports. The saw head is supported and guided by LM linear bearings, while the bearing rail is mounted on the head's vertical center of gravity for better stability.

Drive Wheel Transmission—The worm gear drive wheel transmission is designed and built by Amada to provide high-efficiency speed reduction—which requires no external cooling—to deliver more power to the large-diameter drive flange mounted on the drive wheel. This flange ensures that the torque developed is transferred to the blade with no strobing, enabling the machine to efficiently cut high alloys as well as free-machining materials. The entire drive assembly, up to the wheel, is sealed against chips and cutting fluid for long, maintenance-free operation.

CNC Saw Feed Control—The CNC controller has 253 (AISI) material specifications pre-programmed and provisions for 100 user materials. The controller automatically varies the feed rate of the saw head for materials with a changing cross section to ensure the fastest cutting time and best surface finish. Using the Amada Triple Chip carbide blade on a changing cross section provides a cutting rate that is significantly faster than conventional HSS blades with an exceptional surface finish not available with normal bandsaw blades.



Chip Collection



Auto Load Table

Blade Deviation Monitor—The CNC controller constantly monitors the cutting and blade conditions, including the twist of the saw blade. The maximum allowable twist is specified for each direction. When either of these values exceeds the preset parameters in the automatic blade runout detector, the machine will cease cutting and indicate the reason for stopping.

Smart Multiple Index—The NC microprocessor controls the index cycle, enabling the machine to cut different lengths in sequence from the same workpiece, and provides a “Smart Multiple Index” cycle for cut lengths greater than the single index stroke of 15.7” (400 mm). The index cycle makes full-length index passes.

Multiple Index—The machine control has the capability to make more than two index passes, giving a maximum cut length of 393.70” (9999.9 mm) in automatic mode.

Split Front Vise—The work-holding vise is split so that it clamps the workpiece on both sides of the cutting plane. This additional support in front of the cutting plane minimizes the burr on the cut pieces.

Note: CTB400 does not offer the split front vise.

Standard Features

- Cutting control by hydraulic flow control valve with stepping motor
- Anti-vibration guide roller (patented)
- Cutting fluid level detector
- Automatic blade guide setting
- Automatic wire brush setting
- Blade deviation monitor
- Chip conveyor
- Front and rear vise (full stroke)
- Inverter-driven variable blade speed
- Material separation at end of cut
- Motion detector
- Windows-based CNC controls
- Preset auto trim cut
- Safety interlocks
- Auto trim cut function

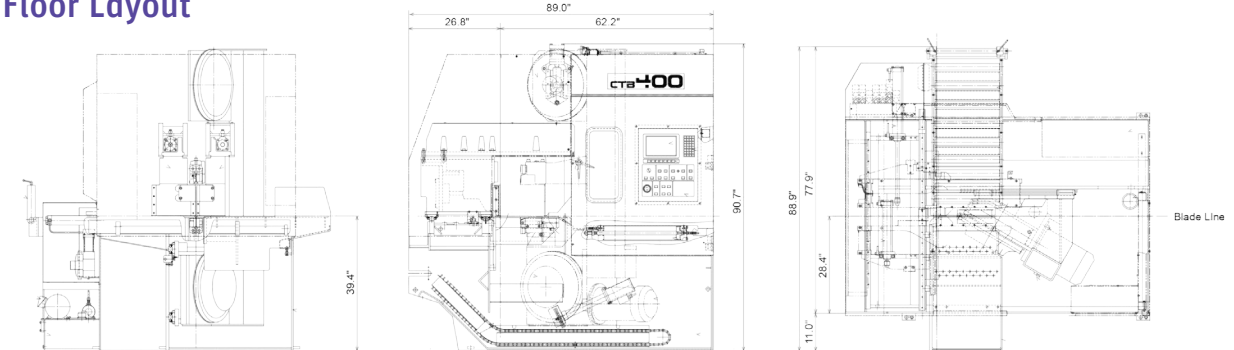
Optional Accessories

- Roller table
- Return conveyor
- Vise pressure control
- Signal tower

CTB400 Machine Specifications

CAPACITY	Cutting capacity	Round (diameter)	1.18"-16"	30-430 mm	
		Rectangle (W x H)	1.18" x 0.5"-16" x 16"	30 x 12-430 x 430 mm	
	Work load capacity		5512 lb	2500 kg	
BLADE AND VISE OPERATION	Saw blade	Dimensions (L x T x W)	15'6" x 0.055" x 1.5"	4715 x 1.3 x 41 mm	
		Blade speed	50-492 ft/min, by inverter	15-150 m/min, by inverter	
		Tension control	Hydraulic		
	Blade control	Cutting control	Windows CNC, hydraulic flow control valve with stepping motor		
Vise operation		Type	Front and rear vise		
MOTORS		Control	Hydraulic		
	Saw blade motor	10 HP	7.5 kW		
	Hydraulic pump motor	2 HP	1.5 kW		
	Cutting fluid pump motor	1/4 HP	0.18 kW		
	Wire brush motor	1/8 HP	0.09 kW		
POWER REQUIREMENTS	Power supply voltage	AC220 ± 10%, 3 PH, 60 Hz (all other voltages require a transformer)			
	Power requirement	16.6 kVA			
CUTTING FLUID AND HYDRAULIC	Cutting fluid	Tank capacity	60.8 gal	230 liters	
		Pump type	Electric		
	Hydraulic	Tank capacity	9.2 gal	35 liters	
		Pressure setting	640 psi	4.5 MPa (45 kgf/cm ²)	
CHIP DISPOSAL	Chip conveyor				
MATERIAL INDEX	Index mechanism	Shuttle vise			
	Stroke	Front: 11.8"	Front: 300 mm		
		Rear: 15.7"	Rear: 400 mm		
	Length	0.394-393.70"	10-9999.9 mm		
	Number of input blocks and stations	99 blocks, 99 stations per block			
	Number of cut-off pieces	1-9,999			
	Remnant length	0.59" plus length of parts	15 mm plus length of parts		
Machine dimensions (W x L x H)	89" x 88.9" x 90.7"	2260 x 2257 x 2304 mm			
DIMENSIONS AND WEIGHT	Table height (above floor)	39.4"	1000 mm		
	Machine weight	9261 lb	4200 kg		

Floor Layout



CTB7040 Machine Specifications

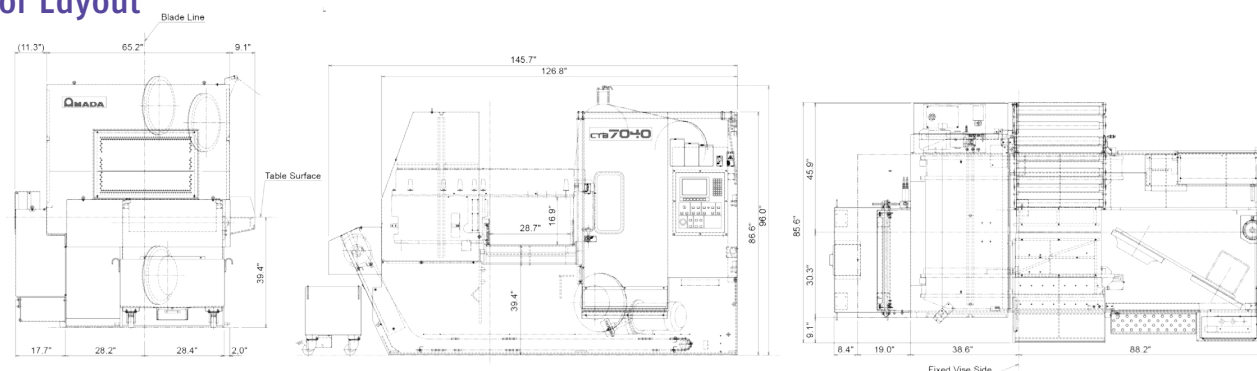
CAPACITY	Cutting capacity	Round (diameter)	1.18"-16"	30-430 mm
		Rectangle (W x H)	1.18" x 1.18"-28.7" x 16"	30 x 30-730 x 430 mm
	Work load capacity	5512 lb	2500 kg	
BLADE AND VISE OPERATION	Saw blade	Dimensions (L x T x W)	18'6" x 0.055" x 1.5"	5628 x 1.3 x 41 mm
		Blade speed	50-492 ft/min, by inverter	15-150 m/min, by inverter
		Tension control	Hydraulic	
	Blade control	Cutting control	CNC control, flow control valve with stepping motor	
		Vise operation	Type	Front and rear vise
MOTORS	Saw blade motor	10 HP	7.5 kW	
		Hydraulic pump motor	2 HP	1.5 kW
	Cutting fluid pump motor	1/4 HP	0.18 kW	
	Wire brush motor	1/8 HP	0.09 kW	
	Power supply voltage	AC220 ± 10%, 3 PH, 60 Hz (all other voltages require a transformer)		
POWER REQUIREMENTS	Power requirement	16.6 kVA		
	CUTTING FLUID AND HYDRAULIC	Cutting fluid	Tank capacity	110.1 gal / 417 liters
Pump type			Electric	
Hydraulic		Tank capacity	9.2 gal / 35 liters	
		Pressure setting	640 psi / 4.5 MPa (45 kgf/cm ²)	
CHIP DISPOSAL	Chip conveyor			
MATERIAL INDEX	Index mechanism	Shuttle vise		
	Stroke	Front: 11.8"	Front: 300 mm	
		Rear: 15.7"	Rear: 400 mm	
	Length	0.394-393.70"	10-9999.9 mm	
	Number of input blocks and stations	99 blocks, 99 stations per block		
	Number of cut-off pieces	1-9,999		
	Remnant length	0.59" plus length of parts	15 mm plus length of parts	
DIMENSIONS AND WEIGHT	Machine dimensions (W x L x H)	146.1" x 85.6" x 92.1"	3713 x 2175 x 2339 mm	
	Table height (above floor)	39.4"	1000 mm	
	Machine weight	13,448 lb	6100 kg	

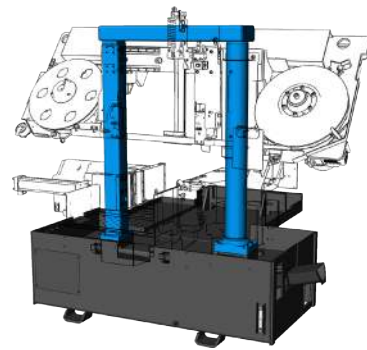


Dynasaw 430 and 530 Dynamic High-Performance Bandsaws

Designed with innovative cutting technology that improves productivity, the Dynasaw 430 and Dynasaw 530 are easy to use and easy on the environment.

Floor Layout





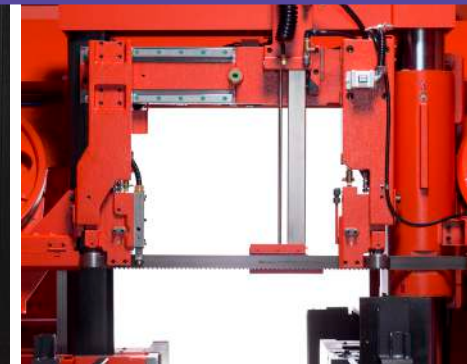
Dynamic Frame



Chip Flusher



Control Panel



Auto Position Guide Arm

Features

Innovative Cutting Technology

Dynamic Frame—A newly engineered post-design frame provides exceptional rigidity.

New CNC Control—A comprehensive cutting database allows users to set up new jobs quickly and easily by simply inputting steel type, shape, and size to automatically select the optimum cutting conditions. Three cut modes (“standard,” “power,” and “eco”) are available to match your needs.

Double Vibration Dampening Rollers—Vibration is reduced, resulting in faster, quieter cutting and longer blade life while delivering better surface finishes.

New Saw Blade Frame Design—By lessening the twist in the blade, fatigue is reduced, leading to longer blade life.

Ease of Operation

Automatically Adjusting Wire Brush—Reduces adjustment time and ensures accurate placement.

Open Top Longer Feed Stroke Vise—Material loading is easier with a stroke length of 27.6" (700 mm) on the rear vise and a full roller-type table.

Non-Contact Material Positioning—The auto-trim function uses lasers to detect the material position, shortening run times.

Back Gauge Function (optional)—The feed vise can be used as a back gauge for easy processing of mill ends.

Improved Working Environment

Smart Blade Change—The blade support holder makes changing blades much more efficient.

Chip Flusher—The chip flushing design helps keep the machine clean, especially in traditionally hard-to-reach areas.

Burr Remover—The unique machine design underneath the cutting area helps reduce any resulting burrs.

Smart Balance Positioner—After completion of automatic operation, the remnant material is positioned with the center of gravity over a groove for easy application of a lifting strap.

Discharge Table—The wire groove on the product table can be open and shut.

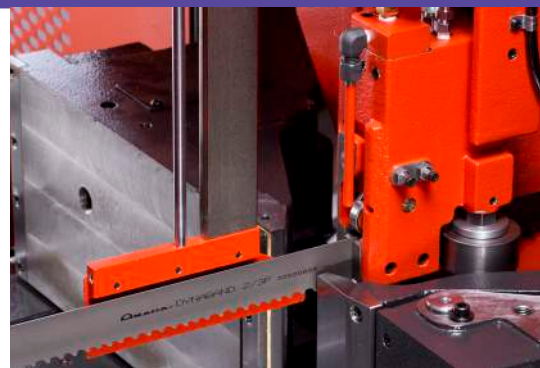
Environmental Improvements

New Vise Improves Material Yield—A new rear vise design reduces the remnant length to 1.38" (35 mm) plus the length of the part, improving the yield of every bar cut.

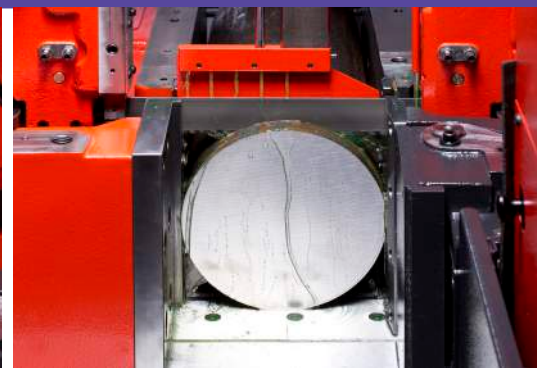
LED Work Light—A new LED work light conserves energy, lasts 8X longer, and provides a much brighter cutting environment.

Automatic Cutting Fluid Supply—The automatic system supplies cutting fluid only when the machine is cutting, conserving energy and reducing fluid use.

SMARTCUT BAND (optional)—The optional SMARTCUT BAND reduces cutting chips by 24% and increases yield by using a 0.036" (0.9 mm) backer on a 1.5" (38.1 mm) bandsaw blade.



Rapid Approach Feature



Split Front Vise

CNC Functions

Accuracy, high-speed cutting and production control are indispensable attributes for our customers. And that's precisely what we provide with our CNC control.

Inexperienced and expert workers can perform optimum cutting by simply inputting blade type and material to be cut. Also, run-in operation for cutting—which was once a troublesome task—can be performed automatically. The system also features computerized control for setting the cutting area and time for each blade.

Program Screen—Basic screen on which information such as material to be cut, length, quantity, etc. can be set and checked. Setting of end cutting or blade deviation allowance and selection of three modes can be made on this screen.

Program List—Data for installed blades and programs can be checked. Data can be easily deleted block by block or all at once.

Blade Registration Screen—Data for blades, including type of blade, pitch, etc., can be stored in the system. Production data is also stored for a blade, which makes it easy to manage your blades.

Steel Type, Shape, and Size Inputting Window—Steel type, shape, and size to be cut can be registered for essential optimum condition setting from database.

Monitor Screen—This screen allows operators to check height of housing, present position of feed vise, blade speed, descending speed of blade, and more.

Three Mode Selections—With eco mode, cutting speed is slow and the life of the blade is prolonged. With normal mode, standard cutting is performed. With power mode, cutting speed is fast.

Wide Variety of Options

Roller Table—Provides auxiliary support for material that extends beyond the machine table.

Vertical Vise—When cutting small-diameter bundled rods, the bundle is clamped from above so that material does not spring up. It can be contained in the main body without removing it. (Cutting capability may change.)

Vise Pressure Control Valve—When clamping thin-wall pipe, deformation is prevented by adjusting the clamping pressure of the vise.

Signal Tower—Operating status, such as working or completion of cutting, can be noticed from a distance.

SMARTCUT BAND Type—By reducing cutting margin, more products can be produced from a single bar. Discharge of cutting chips per cut and power consumption are reduced, and environmental conditions are improved.

QR Code—Save time and reduce errors by printing QR codes on instruction sheets issued at the office and read back in at the machine side.

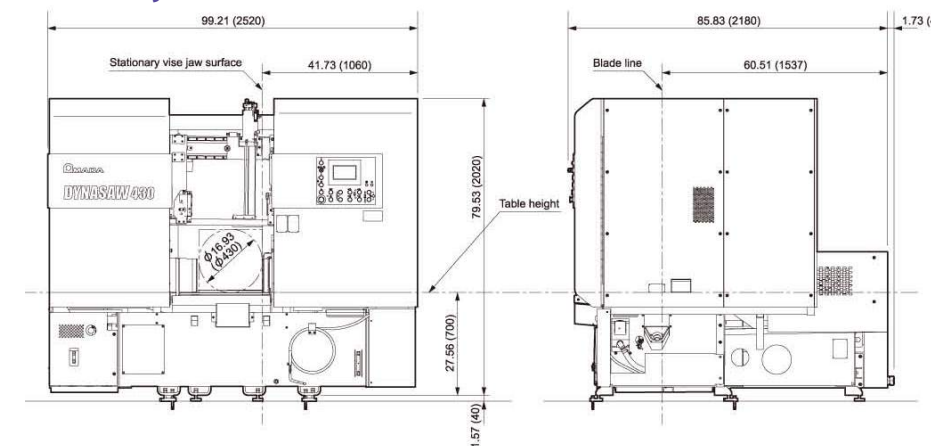
RT Conveyor—Upon completion of the cutting, the remnant material* is automatically returned to the conveyor. The conveyor shifts to the next lane and the material is fed automatically and cutting starts. Preparation for the next material can be made even when the bandsaw is cutting, increasing the operation rate considerably.

*Minimum length of remnant material is 1.77" (45 mm).

Dynasaw 430 Machine Specifications

CUTTING CAPACITY	Round (diameter)	1.18"-16.93" (Ø30 mm-430 mm)
	Rectangle (W x H)	1.18" x 1.18"-16.93" x 16.93" (30 mm x 30 mm-430 mm x 430 mm)
	Min. cut-off length	0.394" (10 mm)
	Min. remnant length	1.38" plus length of parts (35 mm plus length of parts)
BLADE	Size (L x T x W)	17'5" x 0.050" x 1.5" (5300 mm x 1.3 mm x 41 mm)
	Speed	49-394 ft/min (15-120 m/min)
MOTORS	Blade	7.5 HP (5.5 kW)
	Hydraulic pump	2 HP (1.5 kW)
	Coolant pump	1/4 HP (0.18 kW)
	Wire brush	1/8 HP (0.09 kW)
FEEDING VISE STROKE LENGTH	27.6" (700 mm)	
TABLE HEIGHT	27.6" (700 mm)	
ALLOWABLE LOAD	6623 lb (3000 kg)	
POWER REQUIREMENT	13 kVA	
MACHINE WEIGHT	7716 lb (3500 kg)	

Floor Layout

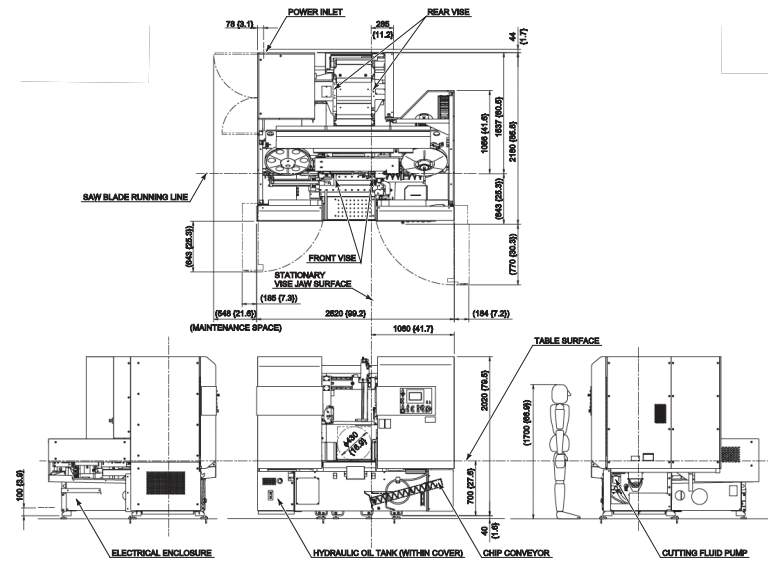


Dynasaw 430 and 530

Dynasaw 530 Machine Specifications

CUTTING CAPACITY	Round (diameter)	1 1/8"-20.87" (Ø30 mm-530 mm)
	Rectangle (W x H)	1.18" x 1.18"-20.87" x 20.87" (30 mm x 30 mm-530 mm x 530 mm)
	Min. cut-off length	0.394" (10 mm)
	Min. remnant length	1.5" (35 mm)
BLADE	Size (W x T x L)	2" x 0.063" x 19'5" (54 mm x 1.6 mm x 5920 mm)
	Speed	49-394 ft/min (15-120 m/min)
MOTORS	Blade	10 HP (7.5 kW)
	Hydraulic pump	2 HP (1.5 kW)
	Coolant pump	1/4 HP (0.18 kW)
	Wire brush	1/8 HP (0.09 kW)
FEEDING VISE STROKE LENGTH	27.6" (700 mm)	
TABLE HEIGHT	27.6" (700 mm)	
ALLOWABLE LOAD	10,141 lb (4600 kg)	
POWER REQUIREMENT	15 kVA	
MACHINE WEIGHT	9921 lb (4500 kg)	

Floor Layout



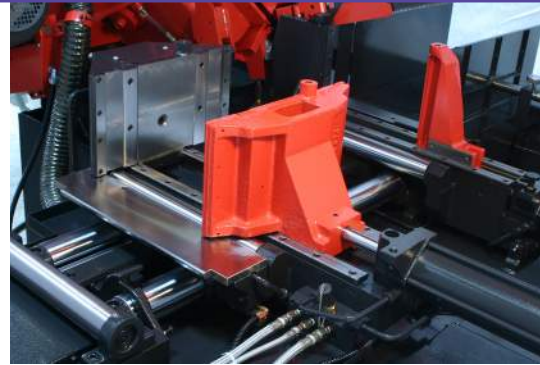
SAWING TECHNOLOGY

H Series

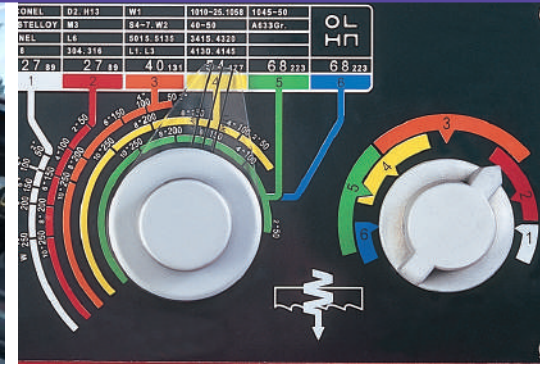
The proven design of our H Series bandsaws offers dependable productivity with a range of cutting capabilities to match your needs.

H550EII, H1000II, H1300II, H1600II and H2116II

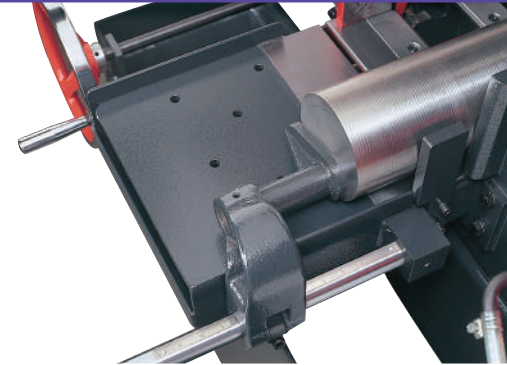
Highly Rigid Horizontal Bandsaws



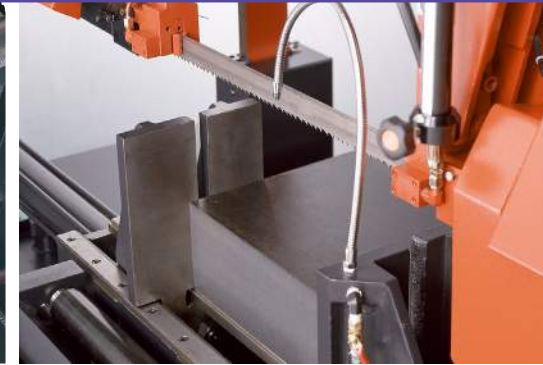
Full-Stroke Vises



Pressure Flow Valve



Mechanical Stop



Clamping Front and Rear of Cut

MODEL	ROUND	RECTANGLE
H550EII	7.87"-18.90" (200 mm-480 mm)	Max: 21.65" x 18.90" (550 mm x 480 mm)
H1000II	15.7"-40" (400 mm-1000 mm)	Max: 44" x 40" (1110 mm x 1000 mm)
H1300II	22.4"-52" (570 mm-1300 mm)	Max: 52" x 52" (1300 mm x 1300 mm)
H1600II	23.62"-63" (600 mm-1600 mm)	Max: 63" x 63" (1600 mm x 1600 mm)
H2116II	23.62"-63" (600 mm-1600 mm)	Max: 82.68" x 63" (2100 mm x 1600 mm)

H550EII Features

Pressure Flow Valve—The cutting process can be optimized by simply setting the pressure flow valve to the target material, shape, and size.

Cutting Depth Setting Unit—As the blade descends horizontally, tooling and dovetail grooving can be easily handled by adjusting the cutting end height.

Light Beam—The light beam unit allows for easy alignment of marks. One-touch operation of the manual feeding unit moves workpieces back and forth. In addition, the user-friendly double vise system is installed to clamp materials.

H1000II, H1300II, H1600II and H2116II Features

Hydraulic Vise

- Prevents material movement while sawing
- Easy setup
- Positive clamping on full range of capacity

Dual-Cut Control System

- Combines with fine feed roller for accurate material indexing
- Blade feed is controlled by hydraulic flow control valve with stepping motor
- Maximum blade life in all cutting applications
- Easy setup with reference cutting rate system

Manual Indexing

- Quick and easy indexing with outboard vise (H1000II)
- Quick and easy indexing with feed table (H1300II, H1600II, H2116II)

STANDARD FEATURES	H550EII	H1000II	H1300II	H1600II	H2116II
Blade deviation monitor		•	•	•	•
Blade hour meter					
Blade speed controlled by inverter	•	•	•	•	•
Chip conveyor		•	•	•	•
CNC-Lite control down feed		•	•	•	•
Cutting depth indicator	•	•	•	•	•
Cutting rate display					
Drive: euro drive (no torque loss)					
Drive: helical gear (no torque loss)				•	•
Full stroke vise	•	•	•	•	•
Hydraulic clamping blade guides	•	•	•	•	•
Hydraulic insert clamp	•	•	•	•	•
Light beam marking	•	•	•	•	•
Motion detector	•	•	•	•	•
Outboard vise		•	•	•	•
Hydraulic flow valve with stepping motor		•	•	•	•
Quick approach arm		•	•	•	•
Remote blade guide control					
Table feed control			•	•	•
Variable blade speed drive					
Wheel cover limit switch	•	•	•	•	•

OPTIONAL ACCESSORIES	H550EII	H1000II	H1300II	H1600II	H2116II
Rear vise					
Roller tables	•	•			

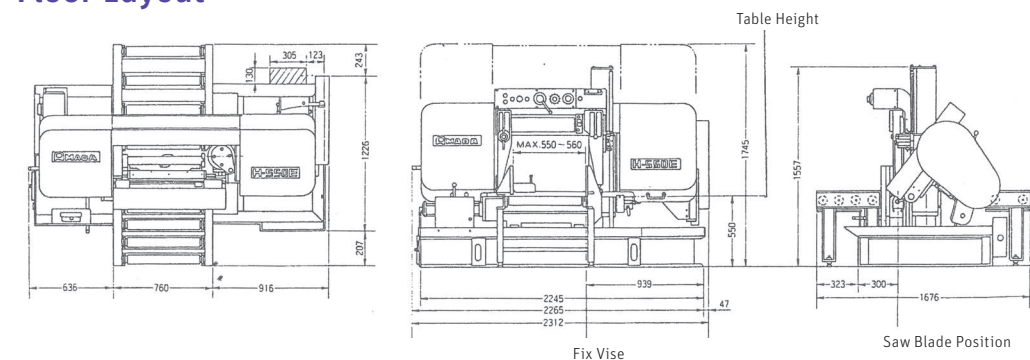


H550EII

H550EII Machine Specifications

CAPACITY	Cutting capacity	Round (diameter)	7.87"-18.90"	200-480 mm
		Rectangle (W x H)	21.65" x 18.90"	550 x 480 mm
	Work load capacity		4408 lb	2000 kg
BLADE AND VISE OPERATION	Saw blade	Dimensions (L x T x W)	16' x 0.050" x 1.5"	4,880 x 1.3 x 41 mm
		Blade speed	56, 82, 115, 148, 180, 213, 246 ft/min	7, 25, 35, 45, 55, 65, 75 m/min
		Tension control	Hydraulic	
	Blade control	Top limit setting	Manual setting	
		Cutting control	Hydraulic pressure and flow control valve	
	Vise operation	Type	Main split vise	
Control		Hydraulic full-stroke cylinder		
MOTORS	Saw blade motor	7.5 HP	5.5 kW	
	Hydraulic pump motor	2 HP	1.5 kW	
	Cutting fluid pump motor	1/2 HP	0.2 kW	
POWER REQUIREMENTS	Power supply voltage	AC220 ± 10%, 3 PH, 60 Hz (all other voltages require transformer)		
	Power requirement	10 kVA		
CUTTING FLUID AND HYDRAULIC	Cutting fluid	Tank capacity	21.1 gal	80 liters
		Pump type	Electric	
	Hydraulic	Tank capacity	18.5 gal	70 liters
		Pressure setting	498 psi	3.5 MPa (kgf/cm ²)
CHIP DISPOSAL	Chip conveyor			
MATERIAL INDEX	Index mechanism		N/A	
	Stroke		N/A	
	Length		N/A	
	Number of input stations		N/A	
	Number of cut-off pieces		N/A	
	Remnant length		N/A	
DIMENSIONS AND WEIGHT	Machine dimensions (W x L x H)	Head up position	107.2" x 72.8" x 80.9"	2723 x 1850 x 2055 mm
		Head down position	107.2" x 72.8" x 68.7"	2723 x 1850 x 1745 mm
	Table height (above floor)	26.7"		675 mm
	Machine weight	4629.8 lb		2100 kg

Floor Layout



H1000II

Highly Rigid Horizontal Bandsaws

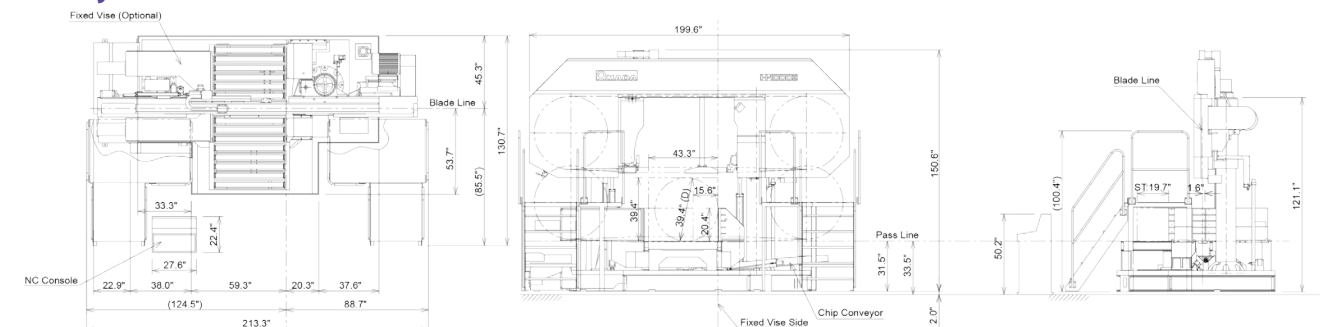


H1000II

H1000II Machine Specifications

CAPACITY	Cutting capacity	Round (diameter)	15.7"-40"	400-1000 mm
		Rectangle (W x H)	15.7" x 15.7"-44" x 40"	400 x 400 mm-1100 x 1000 mm
	Work load capacity		33,069 lb	15,000 kg
BLADE AND VISE OPERATION	Saw blade	Dimensions (L x T x W)	36'5" x 0.063" x 3"	11,100 x 1.6 x 80 mm
		Blade speed	50-246 ft/min, by inverter	15-75 m/min, by inverter
		Tension control	Hydraulic	
	Blade control	Top limit setting	Automatic setting with quick approach feeler	
		Cutting control	CNC-Lite, hydraulic flow control valve with stepping motor	
	Vise operation	Type	Front and rear vise	
Control		Hydraulic full-stroke cylinder		
MOTORS	Saw blade motor	15 HP	11 kW	
	Hydraulic pump motor	5 HP	3.7 kW	
	Cutting fluid pump motor	1/4 HP	0.2 kW	
POWER REQUIREMENTS	Power supply voltage	AC220 ± 10%, 3 PH, 60 Hz (all other voltages require transformer)		
	Power requirement	20 kVA		
CUTTING FLUID AND HYDRAULIC	Cutting fluid	Tank capacity	66 gal	250 liters
		Pump type	Electric	
	Hydraulic	Tank capacity	39.6 gal	150 liters
		Pressure setting	1,110 psi	7.8 MPa (78 kgf/cm ²)
CHIP DISPOSAL	Chip conveyor			
MATERIAL INDEX	Index mechanism	Outboard vise, manual operation		
	Stroke	19.7" (manual)	500 mm (manual)	
	Length	N/A		
	Number of input blocks and stations	N/A		
	Number of cut-off pieces	N/A		
	Remnant length	N/A		
DIMENSIONS AND WEIGHT	Machine dimensions (W x L x H)	Head up position	213.3" x 130.7" x 150.6"	5417 x 3321 x 3824 mm
		Head down position	213.3" x 130.7" x 121.1"	5417 x 3321 x 3075 mm
	Table height (above floor)	33.5"		850 mm
	Machine weight	30,800 lb	14,000 kg	

Floor Layout



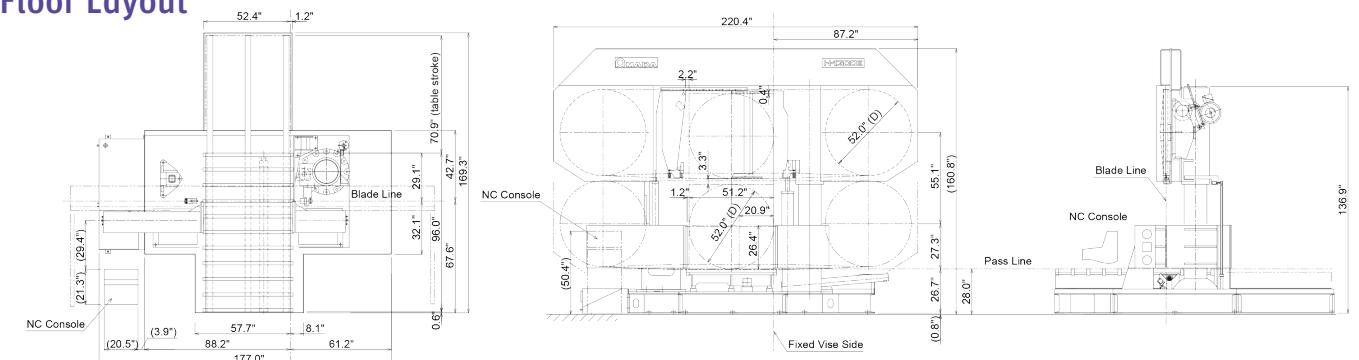
* Specifications may change without notice at the sole discretion of Amada's Engineering Department.



H1300II Machine Specifications

CAPACITY	Cutting capacity	Round (diameter)	22.4~52"	570~1300 mm
		Rectangle (W x H)	52" x 52"	1300 x 1300 mm
	Work load capacity		37,487 lb	17,000 kg
BLADE AND VISE OPERATION	Saw blade	Dimensions (L x T x W)	40'4" x 0.063" x 3"	12,300 x 1.6 x 80 mm
		Blade speed	50-230 ft/min, by inverter	15-70 m/min, by inverter
		Tension control	Hydraulic	
	Blade control	Top limit setting	Automatic setting with quick approach feeler	
		Cutting control	CNC-Lite, hydraulic flow control valve with stepping motor	
Vise operation	Type	Main vise		
	Control	Hydraulic full-stroke cylinder		
MOTORS	Saw blade motor	20 HP	15 kW	
	Hydraulic pump motor	5 HP	3.7 kW	
	Cutting fluid pump motor	1/4 HP	0.4 kW	
POWER REQUIREMENTS	Power supply voltage	AC220 ± 10%, 3 PH, 60 Hz (all other voltages require transformer)		
	Power requirement	28 kVA		
CUTTING FLUID AND HYDRAULIC	Cutting fluid	Tank capacity	73.9 gal	280 liters
		Pump type	Electric	
	Hydraulic	Tank capacity	52.8 gal	200 liters
		Pressure setting	1080 psi	7.6 MPa (76 kgf/cm ²)
CHIP DISPOSAL	Chip conveyor			
MATERIAL INDEX	Index mechanism	Table feed, manual operation		
	Stroke	70.8" hydraulic	1800 mm hydraulic	
	Length	N/A		
	Number of input blocks and stations	N/A		
	Number of cut-off pieces	N/A		
	Remnant length	N/A		
DIMENSIONS AND WEIGHT	Machine dimensions (W x L x H)	Head up position	220.4" x 171.6" x 160.8"	5597 x 4360 x 4084 mm
		Head down position	220.4" x 171.6" x 136.9"	5597 x 4360 x 3479 mm
	Table height (above floor)	27.5"		700 mm
	Machine weight	40,790 lb	18,500 kg	

Floor Layout



* Specifications may change without notice at the sole discretion of Amada's Engineering Department.

H1600II

Highly Rigid Horizontal Bandsaws

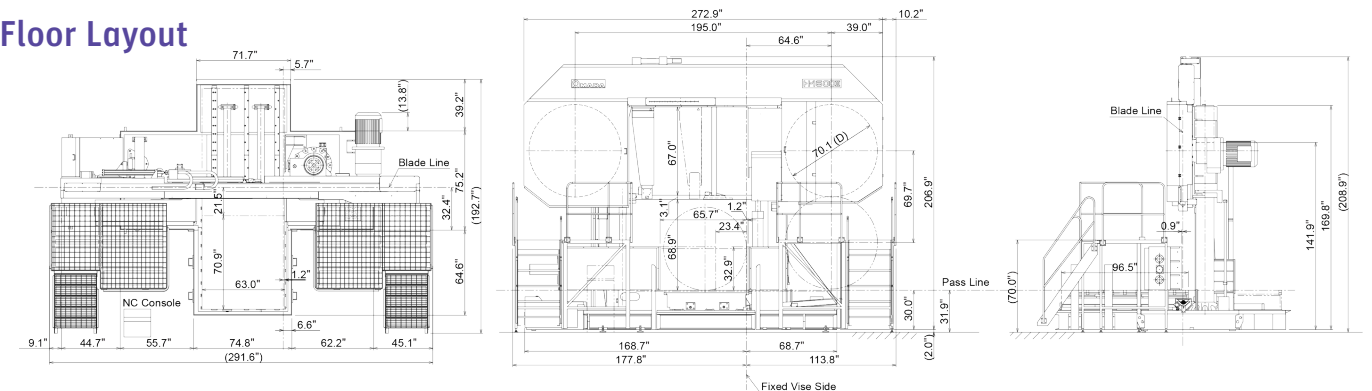


H1600II

H1600II Machine Specifications

CAPACITY	Cutting capacity	Round (diameter)	23.62"-63"	600-1600 mm
		Rectangle (W x H)	63" x 63"	1600 x 1600 mm
	Work load capacity		88,200 lb	40,000 kg
BLADE AND VISE OPERATION	Saw blade	Dimensions (L x T x W)	50'10" x 0.063" x 3"	15,500 x 1.6 x 80 mm
		Blade speed	39.4-196.8 ft/min, by inverter	12-60 m/min, by inverter
		Tension control	Hydraulic	
	Blade control	Top limit setting	Automatic setting with quick approach feeler	
		Cutting control	CNC-Lite, hydraulic flow control valve with stepping motor	
Vise operation	Type	Single vise		
	Control	Hydraulic full-stroke cylinder		
MOTORS	Saw blade motor	20 HP	15 kW	
	Hydraulic pump motor	7.5 HP	5.5 kW	
	Cutting fluid pump motor	1/2 HP	0.4 kW	
POWER REQUIREMENTS	Power supply voltage	AC220 ± 10%, 3 PH, 60 Hz (all other voltages require transformer)		
	Power requirement	35 kVA		
CUTTING FLUID AND HYDRAULIC	Cutting fluid	Tank capacity	92.5 gal	350 liters
		Pump type	Electric	
	Hydraulic	Tank capacity	66.1 gal	250 liters
Pressure setting		1045 psi	7.5 MPa (73.5 kgf/cm ²)	
CHIP DISPOSAL	Chip conveyor			
MATERIAL INDEX	Index mechanism	Table feed, manual operation		
	Stroke	70.9" hydraulic	1800 mm hydraulic	
	Length	N/A		
	Number of input blocks and stations	N/A		
	Number of cut-off pieces	N/A		
	Remnant length	N/A		
DIMENSIONS AND WEIGHT	Machine dimensions (W x L x H)	Head up position	291.6" x 192.7" x 208.9"	7407 x 4895 x 5307 mm
		Head down position	291.6" x 192.7" x 169.8"	7407 x 4895 x 4314 mm
	Table height (above floor)	31.9"		810 mm
	Machine weight	66,200 lb	30,000 kg	

Floor Layout



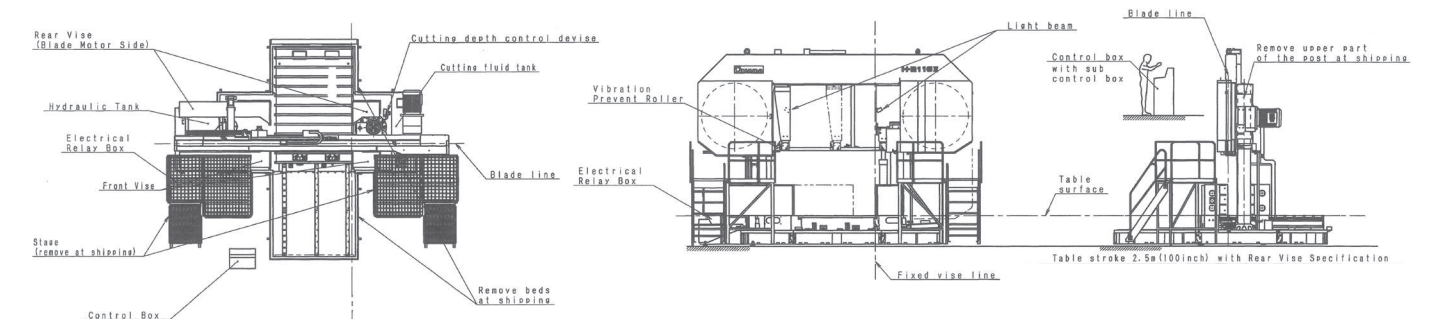
* Specifications may change without notice at the sole discretion of Amada's Engineering Department.



H2116II Machine Specifications

CAPACITY	Cutting capacity	Round (diameter)	23.62"-63"	600-1600 mm	
		Rectangle (W x H)	23.62"x 23.62"-82.68" x 63"	600 x 600 mm-2100 x 1600 mm	
	Work load capacity		88,200 lb	40,000 kg	
BLADE AND VISE OPERATION	Saw blade	Dimensions (L x T x W)	54'2" x 0.063" x 3"	16,500 x 1.6 x 80 mm	
		Blade speed	39.4-196.8 ft/min, by inverter	12-60 m/min, by inverter	
		Tension control	Hydraulic		
	Blade control	Top limit setting	Automatic setting with quick approach feeler		
		Cutting control	CNC-Lite, hydraulic flow control valve with stepping motor		
		Vise operation	Type	Single vise	
		Control	Hydraulic full-stroke cylinder		
MOTORS	Saw blade motor	20 HP	15 kW		
	Hydraulic pump motor	7.5 HP	5.5 kW		
	Cutting fluid pump motor	1/4 HP	0.4 kW		
POWER REQUIREMENTS	Power supply voltage	AC220 ± 10%, 3 PH, 60 Hz (all other voltages require transformer)			
	Power requirement	32 kVA			
CUTTING FLUID AND HYDRAULIC	Cutting fluid	Tank capacity	92 gal	350 liters	
		Pump type	Electric		
	Hydraulic	Tank capacity	66 gal	250 liters	
		Pressure setting	1045 psi	7.5 MPa (73.5 kgf/cm ²)	
CHIP DISPOSAL	Chip conveyor				
MATERIAL INDEX	Index mechanism	Table feed, manual operation			
	Stroke	70.9" hydraulic	1800 mm hydraulic		
	Length	N/A			
	Number of input block and station	N/A			
	Number of cut-off pieces	N/A			
	Remnant length	N/A			
DIMENSIONS AND WEIGHT	Machine dimensions (W x L x H)	Head up position	311.5" x 190" x 207.7"	7912 x 4810 x 5276 mm	
		Head down position	311.5" x 190" x 169.8"	7912 x 4810 x 4314 mm	
	Table height (above floor)	32.5"		825 mm	
	Machine weight	66,150 lb	30,000 kg		

Floor Layout



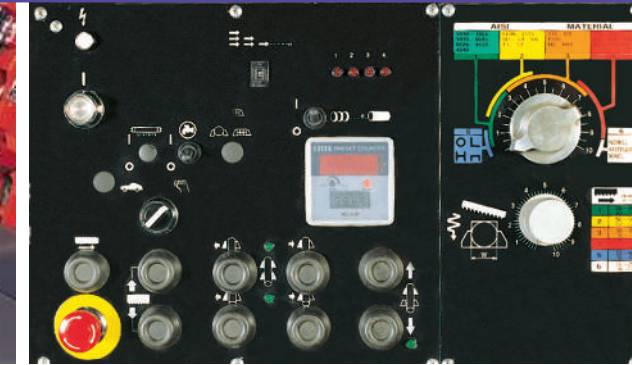


HA250W and HA400W Horizontal Automatic Metal Cutting Bandsaws

The HA250W and HA400W feature “C” section frames that carry the mountings for the two band wheels, heavy-duty worm gear drive reducer, blade drive motor, and saw guide arm mounting supports. The result is an extremely rigid structure that delivers efficiency, economy, and large-capacity cutting for all types of metals.



Full-Stroke Vises



User-Friendly Controls

MODEL	ROUND (DIAMETER)	RECTANGLE (W X H)	WORK LOAD CAPACITY
HA250W	1.18~10" (30 mm~250 mm)	11.8" x 10" (300 mm x 250 mm)	3307 lb (1500 kg)
HA400W	1.18~16.5" (30 mm~420 mm)	16.3" x 16.3" (415 mm x 415 mm)	5511 lbs (2500 kg)

Features

Exceptional Accuracy—The rigid head design always ensures straight, accurate cuts in all sizes and grades of material. Indexing accuracy is $\pm 0.004"$ (0.1 mm) per index.

Faster Cycle Times—The quick-approach arm maintains the minimal distance between the saw blade and the material being cut during indexing, reducing cycle times.

Pressure/Flow Feed Control—The independent pressure and flow controls ensure the optimum cutting rate can be obtained regardless of section or alloy being cut. The pressure control determines the cutting force applied to the blade and the flow control sets the maximum fall rate of the head. For example, for difficult-to-machine materials, the pressure is set higher than free-machining alloys and the flow is set lower, as shown on the escutcheons above the control knobs.

Drive Wheel Transmission—The drive wheel transmission is designed and built by Amada to provide high-efficiency speed reduction (without requiring external cooling) to deliver more power to the large-diameter drive shaft. This shaft ensures that the torque developed is transferred to the blade with no strobing, enabling the machine to efficiently cut high alloys as well as free-machining materials.

Drive and Driven Wheels and Drive System—The drive and driven wheels are cast iron for long, productive life. The spindle assemblies incorporate tapered roller bearings for greater rigidity and long service life, and the drive motor is coupled to the transmission through a variable-speed pulley.

HA250W and HA400W

Horizontal Automatic Bandsaws



Full-Stroke Vises



Powered Chip Conveyor

Idler Wheel Motion Detector—The wheel motion detector will turn off the blade drive in the event of a blade breaking or jamming in a workpiece. This feature also prevents premature wear on the drive wheel from a stalled blade.

Powered Chip Conveyor—The hydraulically powered shaftless chip conveyor provides chip removal and coolant separation. This greatly reduces cleanup time and enables the machine to run longer without operator cleanup.

Multiple Index—The machine control has the capability to make up to nine index passes, giving a maximum cut length of 141.7" (3600 mm) for HA250W and 177" (4500 mm) for HA400W in automatic mode.

Split Front Vise (HA250W)—The work-holding vise is split so that it clamps the workpiece on both sides of the cutting plane.

Full-Stroke Vises—The work-handling and index vise cylinders are both full-stroke, which eliminates the need to manually set the clamping jaw for the work-width.

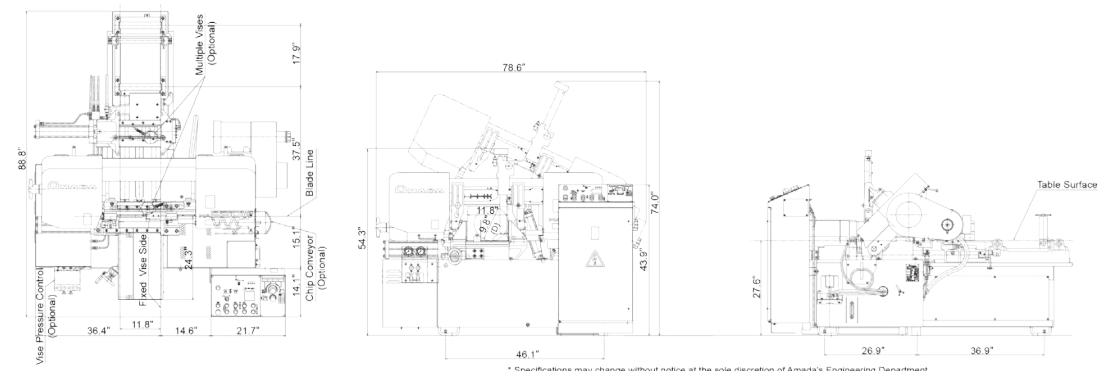
Automatic Kerf Compensation—The need to calculate kerf loss on multiple indexes is eliminated for quick and easy setups.

User-Friendly Controls—All cutting functions are controlled at one convenient location.

HA250W Machine Specifications

CAPACITY	Cutting capacity	Round (diameter)	1.18"-10"	30-250 mm
		Rectangle (W x H)	11.8" x 10"	300 x 250 mm
	Work load capacity		3307 lb	1500 kg
BLADE AND VISE OPERATION	Saw blade	Dimensions (L x T x W)	11'6" x 0.042" x 1.25"	3505 x 1.1 x 34 mm
		Blade speed	89-295 ft/min, 60 Hz stepless	27-90 m/min, 60 Hz stepless
		Tension control	Hydraulic	
	Blade control	Top limit setting	Automatic setting with quick approach feeler	
		Cutting control	Hydraulic pressure and flow control valve	
Vise operation	Type	Main split vise and rear vise		
	Control	Hydraulic full-stroke cylinder		
MOTORS	Saw blade motor	5 HP	3.7 kW	
	Hydraulic pump motor	1 HP	0.75 kW	
	Cutting fluid pump motor	1/4 HP	0.12 kW	
POWER REQUIREMENTS	Power supply voltage	AC220 ± 10%, 3 PH, 60 Hz or AC440V ± 10%, 3 PH, 60 Hz		
	Power requirement	8 kVA		
CUTTING FLUID AND HYDRAULIC	Cutting fluid	Tank capacity	22.5 gal	85 liters
		Pump type	Electric	
	Hydraulic	Tank capacity	7.9 gal	30 liters
		Pressure setting	384 psi	2.7 MPa (27 kgf/cm ²)
CHIP DISPOSAL	Chip conveyor			
MATERIAL INDEX	Index mechanism	Shuttle vise		
	Stroke	15.75" (maximum 9 times index)	400 mm (maximum 9 times index)	
	Length	0.394"-141.7"	10.0-3600 mm	
	Number of input stations	1		
	Number of cut-off pieces	1-9999		
	Remnant length	2.24" plus length of parts	57 mm plus length of parts	
DIMENSIONS AND WEIGHT	Machine dimensions (W x L x H)	Head up position	76.5" x 93.1" x 69.8"	1945 x 2366 x 1772 mm
		Head down position	76.5" x 93.1" x 50.6"	1945 x 2366 x 1285 mm
	Table height (above floor)	27.6"		700 mm
	Machine weight	3307 lb		1500 kg

Floor Layout



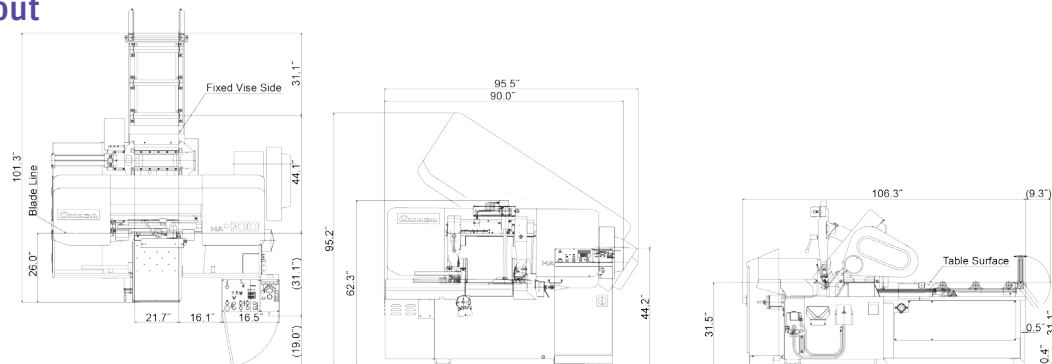
* Specifications may change without notice at the sole discretion of Amada's Engineering Department

HA250W and HA400W

HA400W Machine Specifications

CAPACITY	Cutting capacity	Round (diameter)	1.18"-16.54"	30-420 mm	
		Rectangle (W x H)	16.3" x 16.3"	415 x 415 mm	
	Work load capacity		5511 lb	2500 kg	
BLADE AND VISE OPERATION	Saw blade	Dimensions (L x T x W)	15' x 0.050" x 1.5"	4570 x 1.3 x 41 mm	
		Blade speed	56-295 ft/min, 60 Hz stepless	17-90 m/min, 60 Hz stepless	
		Tension control	Hydraulic		
	Blade control	Top limit setting	Automatic setting with quick approach feeler		
		Cutting control	Hydraulic pressure and flow control valve		
	Vise operation	Type	Main and rear vise		
Control		Hydraulic full-stroke cylinder			
MOTORS	Saw blade motor	7.5 HP	5.5 kW		
	Hydraulic pump motor	2 HP	1.5 kW		
	Cutting fluid pump motor	1/4 HP	0.18 kW		
POWER REQUIREMENTS	Power supply voltage	AC220 ± 10%, 3 PH, 60 Hz or AC440V ± 10%, 3 PH, 60 Hz			
	Power requirement	11 kVA			
CUTTING FLUID AND HYDRAULIC	Cutting fluid	Tank capacity	31.5 gal	120 liters	
		Pump type	Electric		
	Hydraulic	Tank capacity	10.5 gal	40 liters	
		Pressure setting	498 psi	3.5 MPa (35 kgf/cm ²)	
CHIP DISPOSAL	Chip conveyor				
MATERIAL INDEX	Index mechanism	Shuttle vise			
	Stroke	19.6" (maximum 9 times index)	500 mm (maximum 9 times index)		
	Length	0.394"-177"	10.0-4500 mm		
	Number of input stations	1			
	Number of cut-off pieces	1-9999			
	Remnant length	3" plus length of parts	76 mm plus length of parts		
DIMENSIONS AND WEIGHT	Machine dimensions (W x L x H)	Head up position	89.5" x 106.2" x 95.5"	2274 x 2697 x 2425 mm	
		Head down position	89.5" x 106.2" x 62.0"	2274 x 2697 x 1575 mm	
	Table height (above floor)	31.5"		800 mm	
	Machine weight	4851 lb	2200 kg		

Floor Layout



* Specifications may change without notice at the sole discretion of Amada's Engineering Department.



SAWING TECHNOLOGY

HFA Series

The HFA Series of fully automatic bandsaws was created to deliver extraordinary precision with highly accurate material indexing controlled by NC positioning. The squareness of each cut is monitored by a unique Amada-designed blade deviation monitor. A wide range of cutting capacities is available to match your application requirements.

HFA250W, HFA400W and HFA500W

Horizontal Fully Automatic Bandsaws

MODEL	ROUND (DIAMETER)	RECTANGLE (W X H)	WORK LOAD CAPACITY
HFA250W	1.18"-10" (30 mm-250 mm)	10.6" x 10" (270 mm x 250 mm)	3307 lbs (1500 kg)
HFA400W	1.18"-16.54" (30 mm-420 mm)	16" x 16" (400 mm x 400 mm)	5511 lb (2500 kg)
HFA500W	1.18"-20" (30 mm-500 mm)	20" x 20" (500 mm x 500 mm)	6615 lb (3500 kg)
HFA700CII	11.4"-28" (290 mm-700 mm)	32" x 28" (800 mm x 700 mm)	17,637 lb (8000 kg)
HFA1000CII	15.7"-40" (400 mm-1000 mm)	15.7" x 3.9"-43" x 40" (400 mm x 100 mm- 1100 mm x 1000 mm)	33,069 lb (15,000 kg)

Features

Saw Head Frame—The rigid “C” section frame carries the mountings for the two band wheels, the heavy-duty worm gear drive reducer, the band drive motor, and the saw guide arm mounting supports.

Drive Wheel Transmission—The drive wheel transmission is designed and built by Amada to provide high-efficiency speed reduction (without requiring external cooling) to deliver more power to the large-diameter drive shaft (drive hub on the HFA500W). This ensures that the torque developed is transferred to the blade with no strobing, enabling the machine to efficiently cut high alloys as well as free-machining materials.

Pressure/Flow Feed Control—The independent pressure and flow controls ensure the optimum cutting rate can be obtained regardless of section or alloy being cut. The pressure control determines the cutting force applied to the blade and the flow control sets the maximum fall rate of the head. For example, for difficult-to-machine materials, the pressure is set higher than free-machining alloys and the flow is set lower, as shown on the escutcheons above the control knobs.

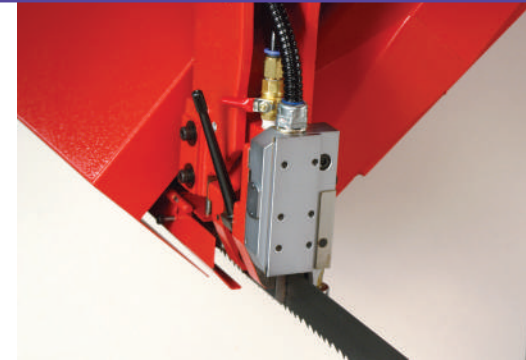
Idler Wheel Motion Detector—The wheel motion detector will turn off the blade drive in the event of a blade breaking or jamming in a workpiece. This feature also prevents premature wear on the drive wheel from a stalled blade.

Automatic Powered Chip Conveyor—The powered chip conveyor auger automatically removes the saw chips while draining cutting fluid back into the fluid reservoir. This greatly reduces cleanup time and enables the machine to run longer without operator cleanup.

Split Front Vise (HFA250W)—The work-holding vise is split so that it clamps the workpiece on both sides of the cutting plane. This additional support in front of the cutting plane minimizes the burr on the cut pieces.

Full-Stroke Vises—The work-handling and index vise cylinders are both full-stroke, which eliminates the need to manually set the clamping jaw for the work-width.

User-Friendly Controls—All cutting functions are controlled at one convenient location.



Blade Deviation Monitor



NC Control Panel



Wheel Cover Interlock

NC Functions

- Auto trim cut
- Hour meter
- Blade deviation monitor
- 99 cut-off lengths from the same bar
- Number of pieces required
- Number of pieces cut
- Does not have blade life
- Does not have blade history

STANDARD FEATURES	HFA250W	HFA400W	HFA500W
2-way opening vise			•
Auto trim cut	•	•	•
Blade deviation monitor	•	•	•
Chip conveyor	•	•	•
Full-stroke vise	•	•	•
Motion detector	•	•	•
Piece counter	•	•	•
Pressure flow valve	•	•	•
Programmable cut length	•	•	•
Self-diagnostics	•	•	•
Split vise	•		
Variable blade speed	•	•	•
Wheel cover limit switch	•	•	•

OPTIONAL ACCESSORIES	HFA250W	HFA400W	HFA500W
Return conveyor			
Roller table 6.5" (2 m)	•	•	•
Roller table 10" (3 m)	•	•	
Vertical clamps	•	•	•
Vise pressure control	•	•	•

HFA250W, HFA400W and HFA500W

Horizontal Fully Automatic Bandsaws

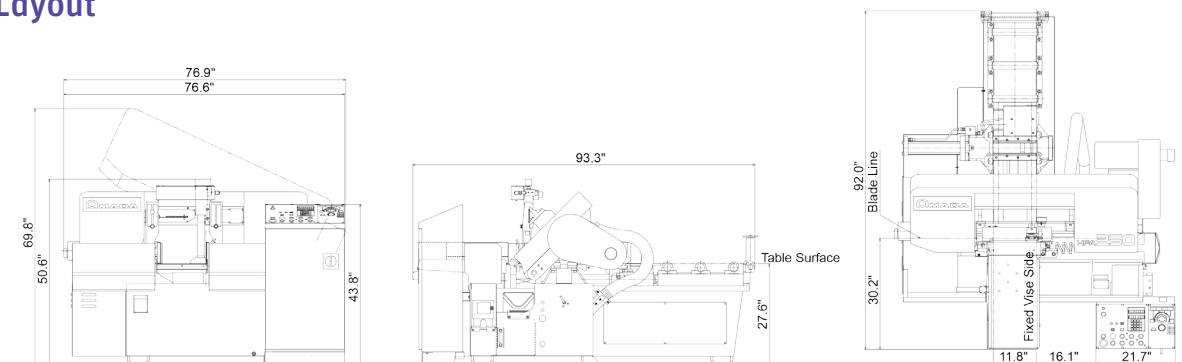


HFA250W

HFA250W Machine Specifications

CAPACITY	Cutting capacity	Round (diameter)	1.18"-10"	30-250 mm
		Rectangle (W x H)	10.6" x 10"	270 x 250 mm
	Work load capacity		3307 lb	1500 kg
BLADE AND VISE OPERATION	Saw blade	Dimensions (L x T x W)	11'6" x 0.042" x 1.25"	3505 x 1.1 x 34 mm
		Blade speed	89-295 ft/min, 60 Hz stepless	27-90 m/min, 60 Hz stepless
		Tension control	Hydraulic	
	Blade control	Top limit setting	Automatic setting with quick approach feeler	
		Cutting control	Hydraulic pressure and flow control valve	
Vise operation	Type	Front split vise and rear vise		
	Control	Hydraulic full-stroke cylinder		
MOTORS	Saw blade motor	5 HP	3.7 kW	
	Hydraulic pump motor	1 HP	0.75 kW	
	Cutting fluid pump motor	1/4 HP	0.18 kW	
POWER REQUIREMENTS	Power supply voltage	AC220 ± 10%, 3 PH, 60 Hz (or AC440V, 3 PH, 60 Hz)		
	Power requirement	8 kVA		
CUTTING FLUID AND HYDRAULIC	Cutting fluid	Tank capacity	22.4 gal	85 liters
		Pump type	Electric	
	Hydraulic	Tank capacity	7.9 gal	30 liters
		Pressure setting	384 psi	2.7 MPa (27 kgf/cm ²)
CHIP DISPOSAL	Chip conveyor			
MATERIAL INDEX	Index mechanism	Shuttle vise		
	Stroke	15.75"	400 mm	
	Length	0.39"-393.70"	10-9999.9 mm	
	Number of input stations	1-99		
	Number of cut-off pieces	1-9999		
	Remnant length	2.24" plus length of parts	57 mm plus length of part	
DIMENSIONS AND WEIGHT	Machine dimensions (W x L x H)	Head up position	76.9" x 93.1" x 69.8"	1945 x 2366 x 1772 mm
		Head down position	76.9" x 93.1" x 50.6"	1945 x 2366 x 1285 mm
	Table height (above floor)	27.6"		700 mm
	Machine weight	3307 lb	1500 kg	

Floor Layout



* Specifications may change without notice at the sole discretion of Amada's Engineering Department.

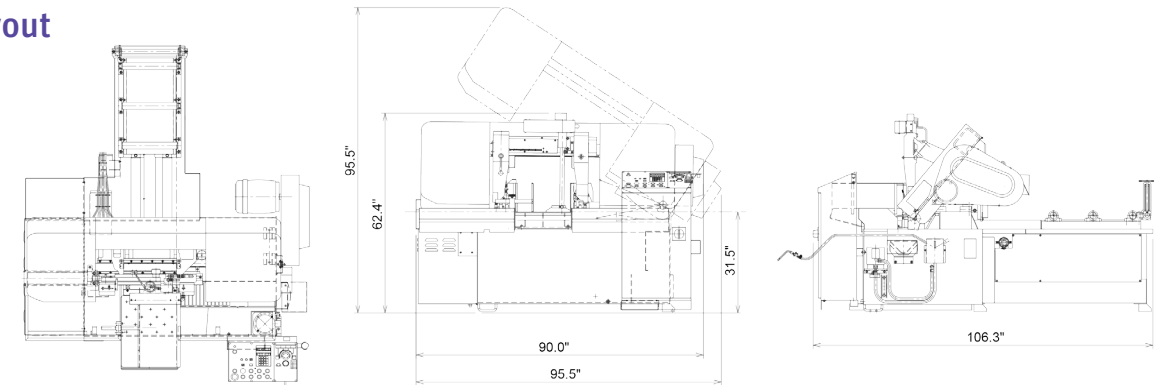


HFA400W

HFA400W Machine Specifications

CAPACITY	Cutting capacity	Round (diameter)	1.18"-16.54"	30-420 mm	
		Rectangle (W x H)	16" x 16"	400 x 400 mm	
	Work load capacity		5511 lb	2500 kg	
BLADE AND VISE OPERATION	Saw blade	Dimensions (L x T x W)	15' x 0.050" x 1.5"	4570 x 1.3 x 41 mm	
		Blade speed	56-295 ft/min, 60 Hz stepless	17-90 m/min, 60 Hz stepless	
		Tension control	Hydraulic		
	Blade control	Top limit setting	Automatic setting with quick approach feeler		
		Cutting control	Hydraulic pressure flow control valve		
	Vise operation	Type	Front and rear vise		
Control		Hydraulic full-stroke cylinder			
MOTORS	Saw blade motor	7.5 HP	5.5 kW		
	Hydraulic pump motor	2 HP	1.5 kW		
	Cutting fluid pump motor	1/4 HP	0.18 kW		
POWER REQUIREMENTS	Power supply voltage	AC220 ± 10%, 3 PH, 60 Hz (or AC440V, 3 PH, 60 Hz)			
	Power requirement	11 kVA			
CUTTING FLUID AND HYDRAULIC	Cutting fluid	Tank capacity	31.5 gal	120 liters	
		Pump type	Electric		
	Hydraulic	Tank capacity	10.5 gal	40 liters	
		Pressure setting	498 psi	3.5 MPa (35 kgf/cm²)	
CHIP DISPOSAL	Chip conveyor				
MATERIAL INDEX	Index mechanism		Shuttle type		
	Stroke		19.6"	500 mm	
	Length		0.39"-393.70"	10-9999.9 mm	
	Number of input stations		1-99		
	Number of cut-off pieces		1-999		
	Remnant length		3" plus length of parts	76 mm plus length of parts	
	DIMENSIONS AND WEIGHT	Machine dimensions (W x L x H)	Head up position	89.5" x 106.2" x 95.5"	2274 x 2697 x 2425 mm
Head down position			89.5" x 106.2" x 62.0"	2274 x 2697 x 1575 mm	
Table height (above floor)		31.5"		800 mm	
Machine weight		4850 lb	2200 kg		

Floor Layout



* Specifications may change without notice at the sole discretion of Amada's Engineering Department.

HFA250W, HFA400W and HFA500W

Horizontal Fully Automatic Bandsaws

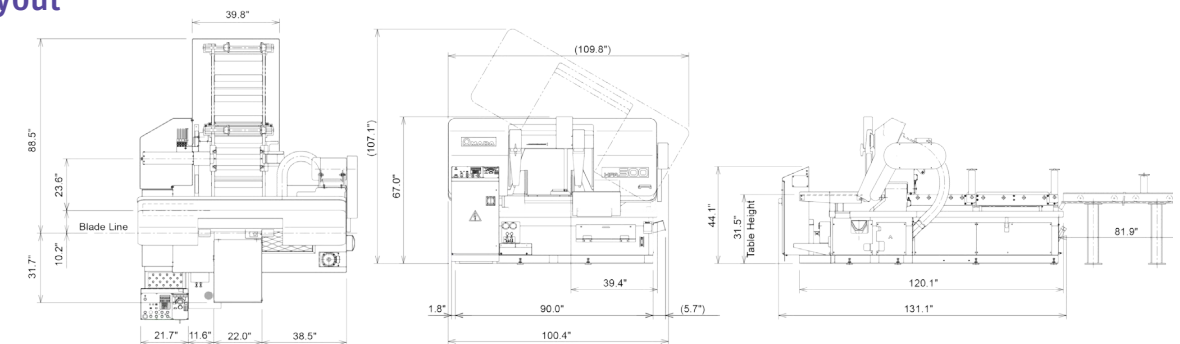


HFA500W

HFA500W Machine Specifications

CAPACITY	Cutting capacity	Round (diameter)	1.18"-20"	30-500 mm
		Rectangle (W x H)	20" x 20"	500 x 500 mm
	Work load capacity		6615 lb	3500 kg
BLADE AND VISE OPERATION	Saw blade	Dimensions (L x T x W)	17'5" x 0.050" x 1.5"	5300 x 1.3 x 41 mm
		Blade speed	50-393 ft/min, 60 Hz stepless	15-120 m/min, 50/60 Hz stepless
		Tension control	Hydraulic	
	Blade control	Top limit setting	Automatic setting with quick approach feeler	
		Cutting control	Hydraulic pressure and flow control valve	
Vise operation	Type	Front and rear vise		
	Control	Hydraulic full-stroke cylinder		
MOTORS	Saw blade motor	7.5 HP	5.5 kW	
	Hydraulic pump motor	2 HP	1.5 kW	
	Cutting fluid pump motor	1/4 HP	0.18 kW	
POWER REQUIREMENTS	Power supply voltage	AC220 ± 10%, 3 PH, 60 Hz (transformer required for other voltages)		
	Power requirement	21 kVA		
CUTTING FLUID AND HYDRAULIC	Cutting fluid	Tank capacity	18.5 gal	70 liters
		Pump type	Electric	
	Hydraulic	Tank capacity	18.5 gal	70 liters
		Pressure setting	498 psi	3.5 MPa (35 kgf/cm ²)
CHIP DISPOSAL	Chip conveyor			
MATERIAL INDEX	Index mechanism		Hydraulic shuttle type	
	Stroke	23.6"	600 mm	
	Length	0.39"-393.70"	10-9999.9 mm	
	Number of input stations	1-99		
	Number of cut-off pieces	1-999		
	Remnant length	4.9" plus length of parts	125 mm plus length of parts	
DIMENSIONS AND WEIGHT	Machine dimensions (W x L x H)	Head up position	100.4" x 131.1" x 107.1"	2550 x 3330 x 2720 mm
		Head down position	100.4" x 131.1" x 67"	2550 x 3330 x 1700 mm
	Table height (above floor)	31.5"		800 mm
	Machine weight	7940 lb	3600 kg	

Floor Layout



* Specifications may change without notice at the sole discretion of Amada's Engineering Department.



HFA700CII and HFA1000CII

The HFA700CII and HFA1000CII were purpose-built for maximum accuracy and durability when cutting large materials.

Features

High Accuracy for Large Materials

- HFA700CII: Up to 32" x 28" (800 mm x 700 mm)
- HFA1000CII: From 15.7" x 3.9" to 43" x 40" (400 mm x 100 mm to 1100 mm x 1000 mm)

Automatically Positioned Guide Arm—The automatic setting of the guide arm eliminates the potential of operator error in the initial setup. The guide arm will always be as close as possible to the pieces being cut.

Automatic Adjusting Double Wire Brushes—The new automatically adjusted double wire brush design keeps the blade clean for maximum blade life (and brush life) with all types of cutting.

Blade Deviation Monitor—The NC controller constantly monitors the cutting and blade conditions, including the twist of the saw blade. When any conditions exceed preset parameters, the machine will cease cutting and indicate the reason for the stoppage.

Front and Rear Vises—The vise configuration allows a minimum remnant length.

Hydraulic Blade Tensioning—A specially designed hydraulic cylinder produces the wide range of band tension required when utilizing both bi-metal and carbide-tipped blades. A direct-reading pressure gauge enables quick and accurate tension setting to accommodate all cutting applications.

Auto Trim Positioning

User-Friendly Operator Console—By simplifying the required input data, the cutting rate controller ("CNC-Lite") ensures the maximum cutting rate, accuracy, and blade life.

NC Functions

- Automatic kerf compensation
- Hour meter
- Blade runout monitor
- History
- 99 cut-off lengths from the same bar
- Number of pieces required
- Number of pieces cut
- Blade life

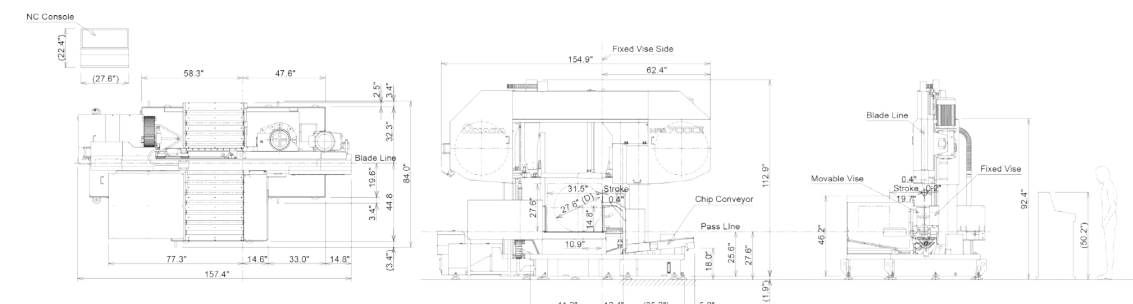
STANDARD FEATURES	HFA700CII	HFA1000CII
Automatically positioned guide arm	●	●
Blade deviation monitor	●	●
Blade speed controlled by inverter	●	●
Chip conveyor	●	●
CNC-controlled down feed	●	●
Drive: helical gear (no torque loss)	●	●
Full-stroke vises	●	●
Hydraulic blade tensioning	●	●
Motion detector	●	●
Piece counter	●	●
Outboard vise	●	●
Vibration dampening rollers	●	●
Wheel cover limit switch	●	●

OPTIONAL ACCESSORIES	HFA700CII	HFA1000CII
Beacon	●	●
Free roller table	●	●
Vertical clamp (must be factory ordered)	●	
Vise pressure control valve	●	

HFA700CII Machine Specifications

CAPACITY	Cutting capacity	Round (diameter)	11.4"-28"	290-700 mm	
		Rectangle (W x H)	32" x 28"	800 x 700 mm	
	Work load capacity		17,637 lb	8000 kg	
BLADE AND VISE OPERATION	Saw blade	Dimensions (L x T x W)	27'3 x 0.063" x 2.625"	8300 x 1.3 x 67 mm	
		Blade speed	49-394 ft/min, by inverter	15-120 m/min, by inverter	
		Tension control	Hydraulic		
	Blade control	Top limit setting	Automatic setting with quick approach feeler		
		Cutting control	CNC-Lite, hydraulic flow control valve with stepping motor		
Vise operation	Type	Front and rear vise			
	Control	Hydraulic full-stroke cylinder			
MOTORS	Saw blade motor	15 HP	11 kW		
	Hydraulic pump motor	5 HP	3.7 kW		
	Cutting fluid pump motor	1/2 HP	0.36 kW		
POWER REQUIREMENTS	Power supply voltage	AC220 ± 10%, 3 PH, 60 Hz (all other voltages require a transformer)			
	Power requirement	26 kVA			
CUTTING FLUID AND HYDRAULIC	Cutting fluid	Tank capacity	26.4 gal	100 liters	
		Pump type	Electric		
	Hydraulic	Tank capacity	30.4 gal	115 liters	
		Pressure setting	784 psi	5.5 MPa (55 kgf/cm ²)	
CHIP DISPOSAL	Chip conveyor				
MATERIAL INDEX	Index mechanism		Shuttle vise		
	Stroke		19.6"	500 mm	
	Length		0.39"-393.70"	10-9999.9 mm	
	Number of input stations		1-99		
	Number of cut-off pieces		1-9999		
	Remnant length (for clamp clearance of 0.79"/20 mm)		1.38" plus length of parts	35 mm plus length of parts	
	DIMENSIONS AND WEIGHT	Machine dimensions (W x L x H)	Head up position	157.4" x 84.0" x 112.9"	3999 x 2133 x 2867 mm
Head down position			157.4" x 84.0" x 112.9"	3999 x 2133 x 2867 mm	
Table height (above floor)		27.6"		700 mm	
Machine weight		15,435 lb		7000 kg	

Floor Layout



* Specifications may change without notice at the sole discretion of Amada's Engineering Department.

HFA1000CII Machine Specifications

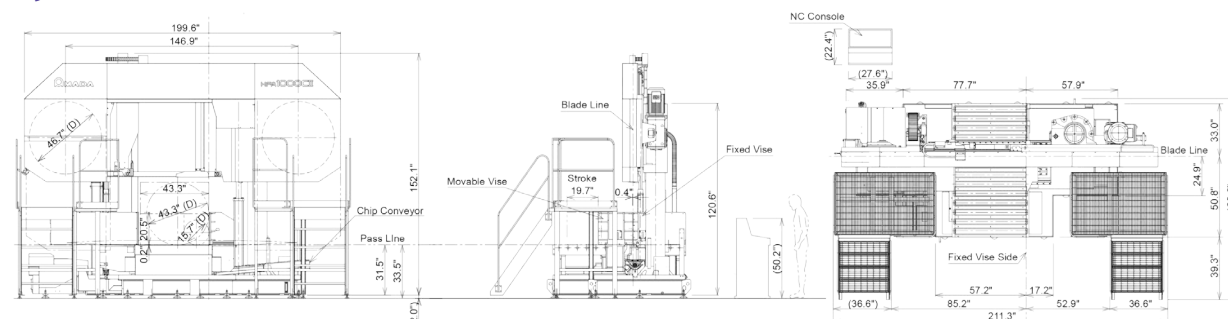
CAPACITY	Cutting capacity	Round (diameter)	15.47"~40"	400 x 1000 mm
		Rectangle (W x H)	15.7" x 3.9"~43" x 40"	400 x 100 mm~1100 x 1000 mm
	Work load capacity		33,069 lb	15,000 kg
BLADE AND VISE OPERATION	Saw blade	Dimensions (L x T x W)	36'6" x 0.063"x 3"	11,100 x 1.6 x 80 mm
		Blade speed	49~394 ft/min, by inverter	15~120 m/min, by inverter
		Tension control	Hydraulic	
	Blade control	Top limit setting	Automatic setting with quick approach feeler	
		Cutting control	CNC-Lite, hydraulic flow control valve with stepping motor	
	Vise operation	Type	Front and rear vise	
MOTORS	Saw blade motor	15 HP	11 kW	
		Hydraulic pump motor	5 HP	3.7 kW
		Cutting fluid pump motor	1/2 HP	0.36 kW
		Power supply voltage	AC220 ± 10%, 3 PH, 60 Hz (all other voltages require a transformer)	
POWER REQUIREMENTS	Power requirement	26 kVA		
	CUTTING FLUID AND HYDRAULIC	Cutting fluid	Tank capacity	66.1 gal / 250 liters
Pump type			Electric	
Hydraulic		Tank capacity	30.4 gal / 115 liters	
		Pressure setting	784 psi / 5.5 MPa (55 kgf/cm ²)	
CHIP DISPOSAL	Chip conveyor			
MATERIAL INDEX	Index mechanism	Shuttle type		
	Stroke	19.6"	500 mm	
	Length	0.39"~393.70"	10~9999.9 mm	
	Number of input stations	1~99		
	Number of cut-off pieces	1~9999		
	Remnant length (for clamp clearance of 0.79"/20 mm)	13" plus length of parts	330 mm plus length of parts	
DIMENSIONS AND WEIGHT	Machine dimensions (W x L x H)	Head up position	211.3" x 126.6" x 154.1"	5420 x 3215 x 3924 mm
		Head down position	211.3" x 126.6" x 154.1"	5420 x 3215 x 3924 mm
	Table height (above floor)	33.5"	850 mm	
	Machine weight	31,970 lb	14,500 kg	

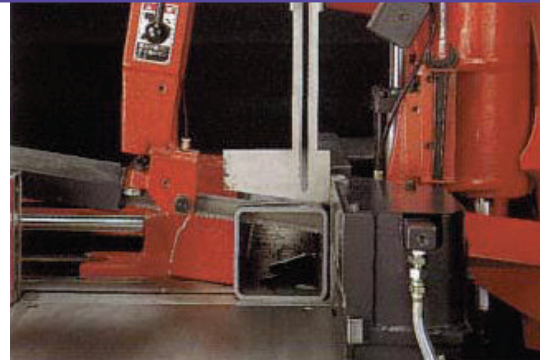


HK400 and HKA400 Manual/Automatic Metal-Cutting Miter Bandsaws

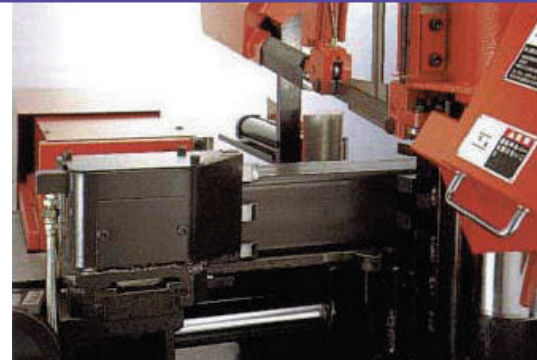
The HK400 and HKA400 bring mitering capability to our proven H Series designs. The HKA400 includes fully automatic operation for enhanced productivity and ease of operation. Both machines offer a host of features designed to maximize cutting performance and reliability and are ideal for cutting structural steel sections.

Floor Layout

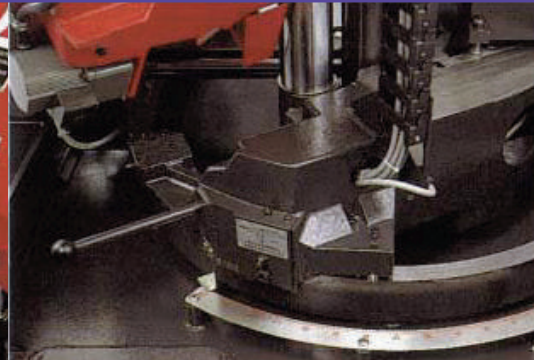




Rigid Double Post



Front Vise



Up to 60° Miter



Easy Operation

Features

Saw Head Frame—The rigid “C” section frame carries the mountings for the two band wheels, heavy-duty worm gear drive reducer, band drive motor, and guide arm mounting supports.

Band Wheels and Drive System—The inverter-controlled band drive motor is directly coupled to the worm gear reducer, eliminating the friction losses found in variable-speed pulley drive systems. The drive wheel transmission is designed and manufactured by Amada to provide high-efficiency speed reduction (with no external cooling required) to deliver more power to the drive wheel. Band speed is set using the band speed adjustment knob on the control panel.

Canted Head and Single-Column Mounting—The head is canted 8° to enable the machine to cut rolled sections (e.g., I-beams or rectangular tubing) at significantly faster rates as the blade is never in full contact with the horizontal section of the material. The single-column mounting enables the saw guides to be much closer together, as compared to scissor-type machines, which improves the cutting performance.

Full-Stroke Clamping Vise—The full-stroke clamping vise reduces the operator setup time for different widths of material.

Manual Vise Inching Control—The vise inching control enables the operator to more accurately locate the workpiece for the cut by inching the vise. Then, with the help of the shadow line projector, the operator can make any small adjustments necessary to the position for the desired cut.

Guarding—The saw band is covered by heavy-gauge guarding in all non-cutting areas, improving operator safety.

NC Functions

- Automatic kerf compensation
- Number of pieces required
- 1 cut-off length from the same bar
- Number of pieces cut

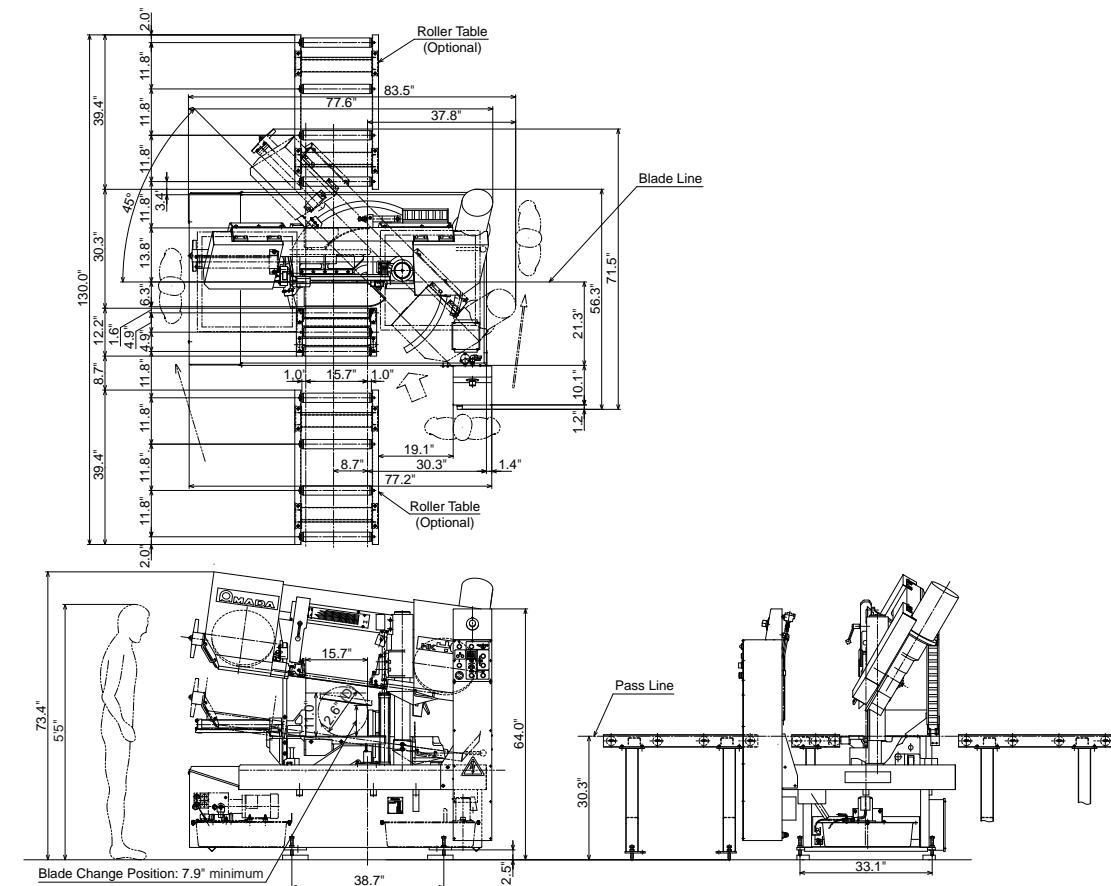
STANDARD FEATURES	HK400	HKA400
8° saw head cant	●	●
60° miter capability	●	●
Auto index (only at 0°)		●
Direct drive	●	●
Full-stroke vise	●	●
Inverter blade speed control	●	●
Light beam marking	●	●
Post-construction saw head	●	●

OPTIONAL ACCESSORIES	HK400	HKA400
Roller table 6.5' (2 m)	●	●
Roller table 10' (3 m)	●	●
Vertical clamp (must be factory ordered)	●	●

HK400 Machine Specifications

CAPACITY	Cutting capacity	Round (diameter)	12.6" (at 90°)	320 mm (at 90°)
			8.9" (at 45°)	220 mm (at 45°)
			3.9" (at 60°)	100 mm (at 60°)
	Rectangle (W x H)		16" x 11" (at 90°)	400 x 280 mm (at 90°)
			8.9" x 11" (at 45°)	220 x 280 mm (at 45°)
		3.9" x 11" (at 60°)	100 x 280 mm (at 60°)	
	Work load capacity		880 lb	400 kg
BLADE AND VISE OPERATION	Saw blade	Dimensions (L x T x W)	12'9" x 0.042" x 1.25"	3885 x 1.066 x 32 mm
		Blade speed	100-325 ft/min, by inverter	30-100 m/min, by inverter
		Tension control	Manual, split clutch	
	Blade control	Top limit setting	Manual setting dial	
		Cutting control	Hydraulic flow control valve	
Vise operation	Type	Single vise		
	Control	Hydraulic full-stroke cylinder		
MOTORS	Saw blade motor	3 HP	2.2 kW	
	Hydraulic pump motor	1 HP	0.75 kW	
	Cutting fluid pump motor	1/10 HP	0.06 kW	
POWER REQUIREMENTS	Power supply voltage	AC220 ± 10%, 3 PH, 60 Hz (all other voltages require a transformer)		
	Power requirement	5.5 kVA		
CUTTING FLUID AND HYDRAULIC	Cutting fluid	Tank capacity	10.7 gal	40 liters
		Pump type	Electric	
	Hydraulic	Tank capacity	10.7 gal	40 liters
		Pressure setting	391 psi	2.7 MPa (27 kgf/cm ²)
CHIP DISPOSAL	Manual			
MATERIAL INDEX	Index mechanism	N/A		
	Stroke	N/A		
	Length	N/A		
	Number of input stations	N/A		
	Number of cut-off pieces	N/A		
	Remnant length	N/A		
DIMENSIONS AND WEIGHT	Machine dimensions (W x L x H)	Head up position	77.6" x 56.3" x 73.4"	1970 x 1430 x 1865 mm
		Head down position	77.6" x 56.3" x 64.0"	1970 x 1430 x 1625 mm
	Table height (above floor)	30.3"	770 mm	
	Machine weight	1990 lb	900 kg	

Floor Layout

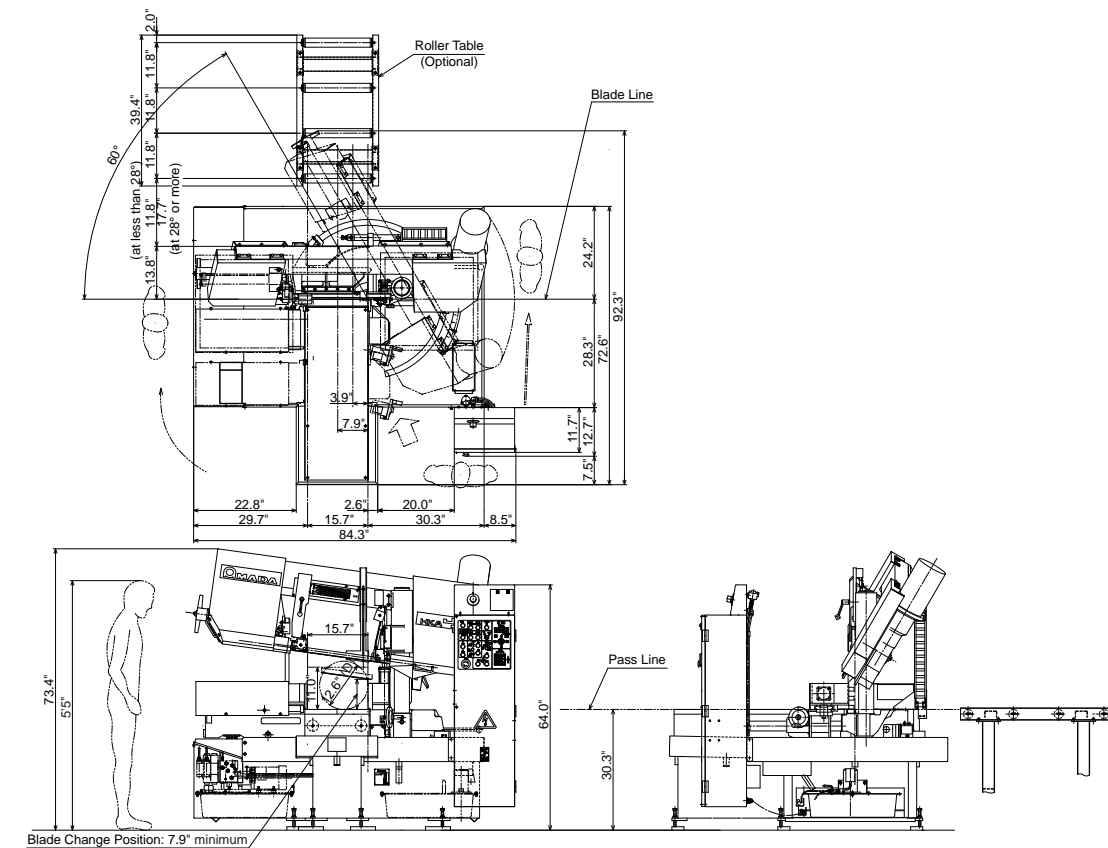


* Specifications may change without notice at the sole discretion of Amada's Engineering Department.

HKA400 Machine Specifications

CAPACITY	Cutting capacity	Round (diameter)	12.6" (at 90°)	320 mm (at 90°)
			8.9" (at 45°)	200 mm (at 45°)
			3.9" (at 60°)	100 mm (at 45°)
	Rectangle (W x H)		16" x 11" (at 90°)	400 x 280 mm (at 90°)
			8.9" x 11" (at 45°)	220 x 280 mm (at 45°)
		3.9" x 11" (at 60°)	100 x 280 mm (at 60°)	
Work load capacity		880 lb	400 kg	
BLADE AND VISE OPERATION	Saw blade	Dimensions (L x T x W)	12'9" x 0.042" x 1.25"	3885 x 1.066 x 32 mm
		Blade speed	100-325 ft/min, by inverter	30-100 m/min, by inverter
		Tension control	Manual, split clutch	
	Blade control	Top limit setting	Automatic setting with quick approach feeler	
		Cutting control	Hydraulic flow control valve	
	Vise operation	Type	Front and main vise	
MOTORS	Saw blade motor	3 HP	2.2 kW	
	Hydraulic pump motor	1 HP	0.75 kW	
	Cutting fluid pump motor	1/10 HP	0.06 kW	
POWER REQUIREMENTS	Power supply voltage	AC220 ± 10%, 3 PH, 60 Hz (all other voltages require a transformer)		
	Power requirement	10.7 kVA		
CUTTING FLUID AND HYDRAULIC	Cutting fluid	Tank capacity	10.7 gal	40 liters
		Pump type	Electric	
	Hydraulic	Tank capacity	10.7 gal	40 liters
		Pressure setting	391 psi	2.7 MPa (27 kgf/cm ²)
CHIP DISPOSAL	Manual			
MATERIAL INDEX	Index mechanism	Shuttle vise		
	Stroke	15.7"	400 mm	
	Length	2.4"-39.3"	60-999.9 mm	
	Number of input stations	1		
	Number of cut-off pieces	1-9999		
	Remnant length	2.8" plus length of parts	70 mm plus length of parts	
DIMENSIONS AND WEIGHT	Machine dimensions (W x L x H)	Head up position	84.3" x 92.3" x 73.4"	2140 x 2345 x 1865 mm
		Head down position	84.3" x 92.3" x 64.0"	2140 x 2345 x 1625.5 mm
	Table height (above floor)	30.3"	770 mm	
	Machine weight	3528 lbs.	1600 kg	

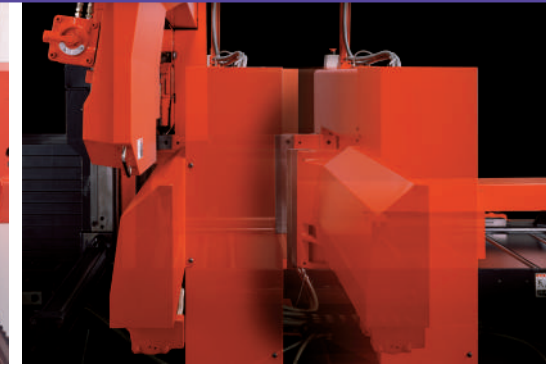
Floor Layout



* Specifications may change without notice at the sole discretion of Amada's Engineering Department.



Full-Capacity Bundle Vises



Front Pulling Vise

HKB6050CNC Horizontal CNC-Controlled Automatic Metal Cutting Bandsaw

The HKB6050CNC is engineered to deliver outstanding productivity and accuracy when cutting bundles of tubes, solids, and structural materials. The full-capacity bundle vises clamp on both sides and the top of the material for maximum stability and precision.

Features

CNC Control

- 30 blocks, 10 stations per block
- Self-diagnostic error codes
- Feeds and speeds selectable by material type

Rear Indexing Vise

- 78" single-stroke indexing
- Single-direction index on short pieces
- Constant clamping maintains bundle configuration

Front Pulling Vise

- 23" single stroke
- Minimal remnants
- Clamping on both sides of the blade

Spray Mist Coolant (optional)

- Cleaner work place
- Cleaner cut pieces
- Eliminates improper mixing ratios

Other Features

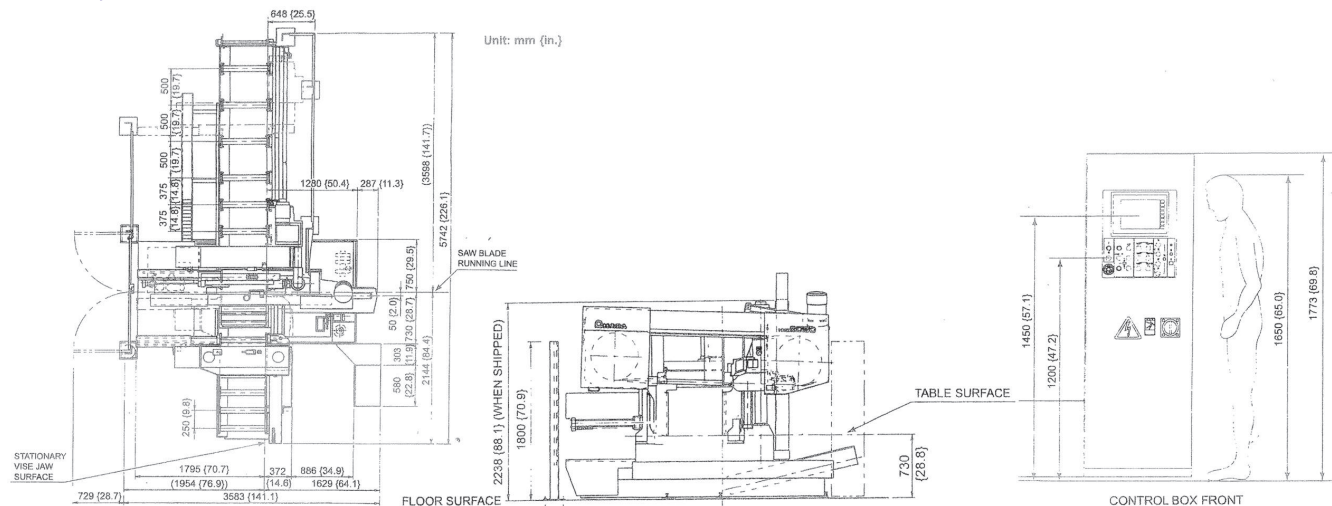
- Automatic blade guide setting
- Operator-friendly touchscreen
- Blade deviation monitor

HKB6050CNC

HKB6050CNC Machine Specifications

CAPACITY	Cutting capacity	Round (diameter)	1"-20"	25 mm-500 mm
		Rectangle (W x H)	1" x 1"-24" x 20"	25 x 25 mm-600 x 500 mm
	Work load capacity		9923 lb	4500 kg
BLADE AND VISE OPERATION	Saw blade	Dimensions (L x T x W)	19'4" x 0.05" x 2"	5890 x 1.3 x 54 mm
		Blade speed	49-325 ft/min, by inverter	15-100 m/min, by inverter
		Tension control	Hydraulic	
	Blade control	Cutting control	CNC control, hydraulic flow control valve with stepping motor	
MOTORS	Saw blade motor		7.5 HP	5.5 kW
	Hydraulic pump motor		2 HP	1.5 kW
	Cutting fluid pump motor		1/4 HP	0.18 kW
POWER REQUIREMENTS	Power supply voltage	AC220 ± 10%, 3 PH, 60 Hz		
	Power requirement	11 kVA		
CUTTING FLUID AND HYDRAULIC	Cutting fluid	Tank capacity	38.3 gal	145 liters
		Pump type	Electric	
	Hydraulic	Tank capacity	12.2 gal	46 liters
		Pressure setting	570 psi	4.0 MPa (40 kgf/cm ²)
CHIP DISPOSAL	Chip conveyor			
FEED	Feed mechanism	AC servo motor with rack and pinion		
	Feed stroke		78.7"	2000 mm
DIMENSIONS AND WEIGHT	Machine dimensions (W x L x H)	Head up position	169.8" x 226.1" x 91.7"	4312 x 5742 x 2330 mm
		Head down position	169.8" x 226.1" x 91.7"	4312 x 5742 x 2330 mm
	Table height (above floor)		28.8"	730 mm
	Machine weight		15,215 lb	6900 kg

Floor Layout



SAWING TECHNOLOGY

PCSAW Series

For more than 50 years, machine and blade manufacturers have been working to mitigate the effects of vibration in metal sawing. Traditionally, high cutting rates have always meant decreased blade life and increased vibration and noise. This has become even more challenging in today's market with the increased demand for cutting harder and larger materials. And deadlines haven't gotten any shorter.



Vertical Pulse



Robust Blade Guarding

PCSAW Series Revolutionary Pulse Cutting Bandsaws

Achieving higher cutting rates without increasing vibration (and sacrificing precision and blade life) required breakthrough thinking, which is precisely what Amada delivers.

By sending controlled pulses to the blade, Amada eliminates unwanted vibrations and delivers some of the highest cutting rates in

the industry. The pulses can be applied to the penetration force (single pulse) or to the longitudinal force as well (double pulse).

We offer five models with this innovative technology to meet your most demanding cutting jobs.

MODEL	PULSE	CUTTING CAPABILITY ROUND	CUTTING CAPABILITY RECTANGLE (W x H)
PCSAW330	Single	1.18"-13" (30 mm-330 mm)	13" x 13" (330 mm x 330 mm)
PCSAW430X/AX	Single	1.18"-16.93" (30 mm-430 mm)	16.93" x 16.93" (430 mm x 430 mm)
PCSAW530X/AX	Single	1.18"-20.87" (30 mm-530 mm)	20.87" x 20.87" (530 mm x 530 mm)
PCSAW700	Double	28" (715 mm)	31.5" x 28" (800 mm x 715 mm)
PCSAW720	Single	28.3" (720 mm)	32" x 28" (815 mm x 715 mm)



PCSAW330 Horizontal Pulse Cutting Bandsaw for Metal

The PCSAW330 features post construction for improved rigidity compared to hinge-type machines. The full cover prevents scattering of chips and cutting fluid to ensure a cleaner work environment.



Blade Deviation Monitor



User-Friendly Controls

The PCSAW330 comes with an Amada SMARTCUT band as standard equipment to help increase yield and reduce the amount of chips produced. The combination of the PCSAW330 and the SMARTCUT band helps minimize the cutting resistance and increases material yield by reducing kerf.

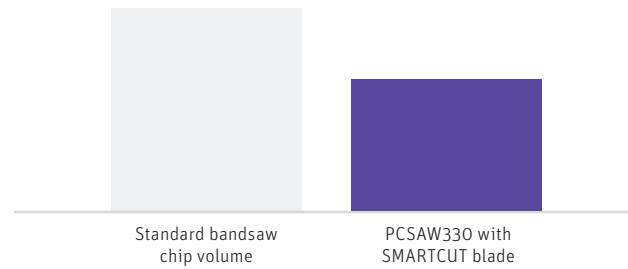
Standard Features

- 99 station NC backgauge
- AC inverter speed control
- Automatic blade guide setting
- Auto trim cut
- Blade deviation monitor
- Chip conveyor
- Full-stroke vise
- Hydraulic blade tension
- Motion detector
- Quick approach
- Split-front vise

Optional Accessories

- Roller table 6.5 ft (2 m)
- Roller table 10 ft (3 m)
- Vise pressure control

CHIP VOLUME REDUCTION

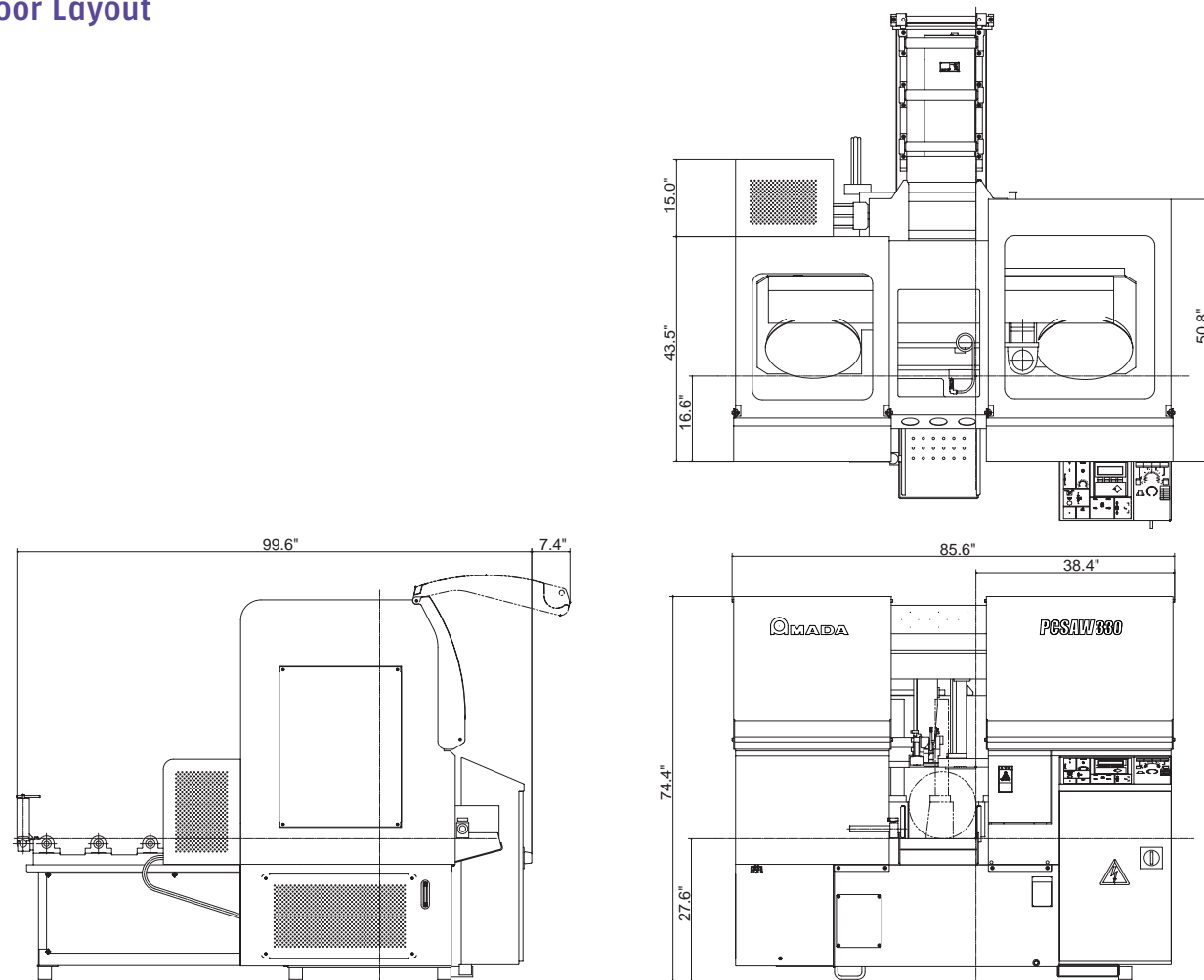


PCSAW330 Machine Specifications

CAPACITY	Cutting capacity	Round (diameter)	1.18"-13"	30-330 mm
		Rectangle (W x H)	13" x 13"	330 x 330 mm
	Work load capacity		4410 lb	2000 kg
BLADE AND VISE OPERATION	Saw blade	Dimensions (L x T x W)	13'6" x 0.035" x 1.5"	4115 x 0.9 x 41 mm
		Blade speed	49-394 ft/min, by inverter	15-120 m/min, by inverter
		Tension control	Hydraulic	
	Blade control	Top limit setting	Automatic setting with quick approach feeler	
		Cutting control	Hydraulic pressure control and flow control valves	
Vise operation	Type	Split vise		
	Control	Hydraulic full-stroke cylinder		
MOTORS	Saw blade motor	5 HP	3.7 kW	
	Hydraulic pump motor	2 HP	1.5 kW	
	Pulse cutting motor	1/4 HP	0.2 kW	
	Cutting fluid pump motor	1/4 HP	0.18 kW	
POWER REQUIREMENTS	Power supply voltage	AC220 ± 10%, 3 PH, 60 Hz (all other voltages require a transformer)		
	Power requirement	13 kVA		
CUTTING FLUID AND HYDRAULIC	Cutting fluid	Tank capacity	16.9 gal	64 liters
		Pump type	Electric	
	Hydraulic	Tank capacity	8.7 gal	33 liters
		Pressure setting	498 psi	3.5 MPa (35 kgf/cm ²)
CHIP DISPOSAL	Chip conveyor			
MATERIAL INDEX	Index mechanism	Shuttle vise		
	Stroke	19.685"	500 mm	
	Length	0.394"-393.70"	10-9999.9 mm	
	Number of input stations	1-99		
	Number of cut-off pieces	1-9999		
	Remnant length	2.283" plus length of parts	58 mm plus length of parts	
DIMENSIONS AND WEIGHT	Machine dimensions (W x L x H)	Head up position	85.6" x 99.6" x 74.4"	2175 x 2530 x 1891 mm
		Head down position	85.6" x 99.6" x 74.4"	2175 x 2530 x 1891 mm
	Table height (above floor)	27.6"		700 mm
	Machine weight	3970 lb	1800 kg	

PCSAW330

Floor Layout



* Specifications may change without notice at the sole discretion of Amada's Engineering Department.

PCSAW430X/AX and PCSAW530X/AX



PCSAW430X/AX and PCSAW530X/AX Horizontal Pulse Cutting Bandsaw for Metal

The PCSAW430X/AX and PCSAW530X/AX models offer a variety of productivity-enhancing features designed to improve cutting performance and operator efficiency. On the PCSAW430X and PCSAW530X, the cutting feed is controlled by a hydraulic flow control valve with stepping motor. The AX models of these two machines utilize a servo motor control for cutting feed.



Loading Table



Cutting Fluid Level Detector

Standard Features

- 3D automatic adjusting wire brush for chip removal
- Large area chip conveyor
- Blade deviation monitor
- Cutting fluid level detector
- Feed detector
- Motion detector
- Increased vise rigidity—prevents material movement during indexing
- Back gauge plate for stopper block—facilitates cutting short material
- Windows®-based CNC controls
- Fully accessible feeding table—accommodates a full range of material sizes
- Obstruction-free loading table—accommodates all types of materials
- Safe and easy blade replacement

Optional Accessories

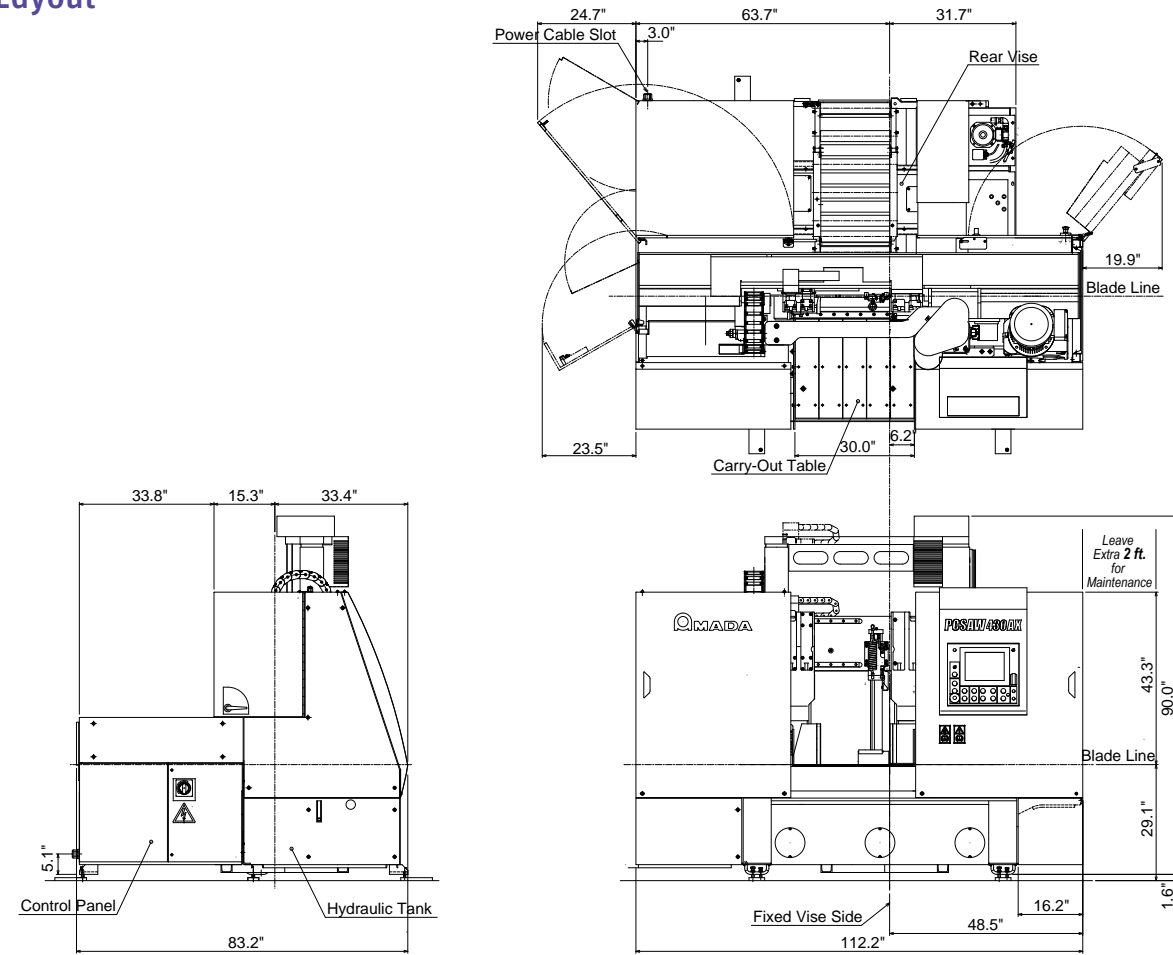
- External chip conveyor
- Vertical clamp
- Roller table 6.5 ft (2 m)
- Return conveyor
- Vise pressure control

PCSAW430X/AX Machine Specifications

CAPACITY	Cutting capacity	Round (diameter)	1.18"-16.93"	30-430 mm	
		Rectangle (W x H)	16.93" x 16.93"	430 x 430 mm	
	Work load capacity		6613 lb	3000 kg	
BLADE AND VISE OPERATION	Saw blade	Dimensions (L x T x W)	20' x 0.063" x 2"	6100 x 1.6 x 54 mm	
		Blade speed	49-394 ft/min, by inverter	15-120 m/min, by inverter	
		Tension control	Hydraulic		
	Blade control	Top limit setting	Automatic setting with quick approach feeler		
		Cutting control	430AX: Windows® CNC, servo motor with ball screw		
			430X: Windows® CNC, hydraulic flow control valve with stepping motor		
Vise operation	Type	Split vise			
	Control	Hydraulic full-stroke cylinder			
MOTORS	Saw blade motor	15 HP	11 kW		
	Hydraulic pump motor	3 HP	2.2 kW		
	Pulse cutting motor	1/8 HP	0.09 kW		
	Cutting fluid pump motor	1/2 HP	0.25 kW		
	Wire brush motor	1/2 HP	0.2 kW		
POWER REQUIREMENTS	Power supply voltage	AC220 ± 10%, 3 PH, 60 Hz (all other voltages require a transformer)			
	Power requirement	17 kVA			
CUTTING FLUID AND HYDRAULIC	Cutting fluid	Tank capacity	47.3 gal	179 liters	
		Pump type	Electric		
	Hydraulic	Tank capacity	7.34 gal	28 liters	
		Pressure setting	597.4 psi	4.2 MPa (42 kgf/cm ²)	
CHIP DISPOSAL	Built-in wide scraper style chip conveyor				
MATERIAL INDEX	Index mechanism	Shuttle vise			
	Stroke	19.685"	500 mm		
	Length	0.394"-393.70"	10-9999.9 mm		
	Number of blocks	1-30			
	Number of input stations	1-99			
	Number of cut-off pieces	1-9999			
	Remnant length	3.94" plus length of parts	100 mm plus length of parts		
DIMENSIONS AND WEIGHT	Machine dimensions (W x L x H)	Head up position*	112.2" x 83.2" x 90.0"	2850 x 2113 x 2285 mm	
		Head down position	112.2" x 83.2" x 90.0"	2850 x 2113 x 2285 mm	
	Table height (above floor)	27.6"	700 mm		
	Machine weight	10,361 lb	4700 kg		

*For PCSAW430AX

Floor Layout



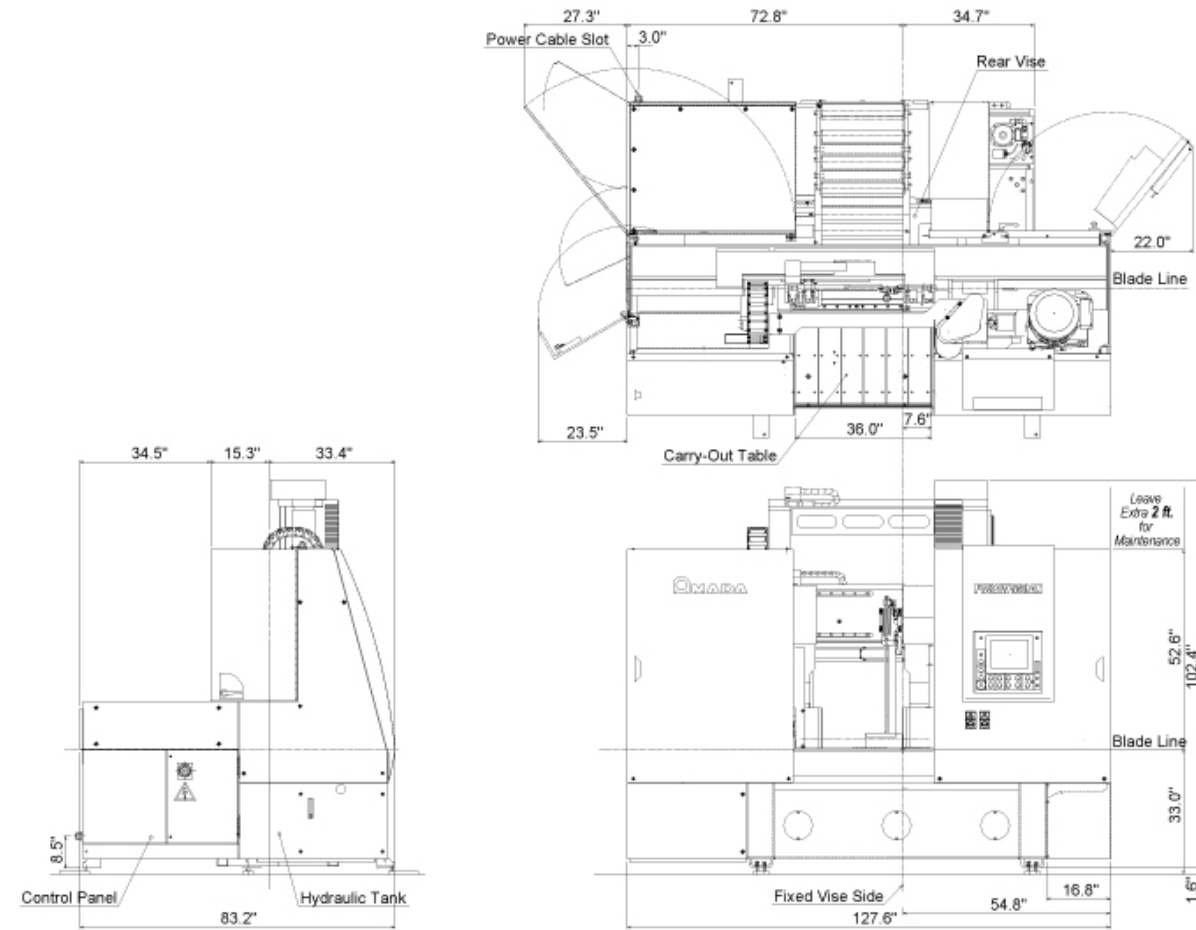
* Specifications may change without notice at the sole discretion of Amada's Engineering Department.

PCSAW530X/AX Machine Specifications

CAPACITY	Cutting capacity	Round (diameter)	1.18"-20.87"	30-530 mm	
		Rectangle (W x H)	20.87" x 20.87"	530 x 530 mm	
	Work load capacity		10,141 lb	4600 kg	
BLADE AND VISE OPERATION	Saw blade	Dimensions (L x T x W)	22'11" x 0.063" x 2.625"	7000 x 1.6 x 67 mm	
		Blade speed	49-394 ft/min, by inverter	15-120 m/min, by inverter	
		Tension control	Hydraulic		
	Blade control	Top limit setting	Automatic setting with quick approach feeler		
		Cutting control	530AX: Windows® CNC, servo motor with ball screw 530X: Windows® CNC, hydraulic flow control valve with stepping motor		
	Vise operation	Type	Split vise		
Control		Hydraulic full-stroke cylinder			
MOTORS	Saw blade motor	20 HP	15 kW		
	Hydraulic pump motor	3 HP	2.2 kW		
	Pulse cutting motor	1/8 HP	0.09 kW		
	Cutting fluid pump motor	1/2 HP	0.25 kW		
	Wire brush motor	1/2 HP	0.2 kW		
POWER REQUIREMENTS	Power supply voltage	AC220 ± 10%, 3 PH, 60 Hz (all other voltages require a transformer)			
	Power requirement	22 kVA			
CUTTING FLUID AND HYDRAULIC	Cutting fluid	Tank capacity	50.2 gal	190 liters	
		Pump type	Electric		
	Hydraulic	Tank capacity	7.34 gal	28 liters	
		Pressure setting	753.8 psi	5.3 MPa (53 kgf/cm ²)	
CHIP DISPOSAL	Built-in wide scraper style chip conveyor				
MATERIAL INDEX	Index mechanism	Shuttle vise			
	Stroke	19.685"	500 mm		
	Length	0.394"-393.70"	10-9999.9 mm		
	Number of input stations	1-99			
	Number of cut-off pieces	1-9999			
	Remnant length	3.94" plus length of parts	100 mm plus length of parts		
DIMENSIONS AND WEIGHT	Machine dimensions (W x L x H)	Head up position*	127.6" x 83.2" x 102.5"	3240 x 2113 x 2603 mm	
		Head down position	127.6" x 83.2" x 102.5"	3240 x 2113 x 2603 mm	
	Table height (above floor)	31.5"		800 mm	
	Machine weight	12,125 lb	5500 kg		

*For PCSAW530AX

Floor Layout



* Specifications may change without notice at the sole discretion of Amada's Engineering Department.



PCSAW700 Horizontal Double-Pulse Cutting Bandsaw for Metal

The PCSAW700 incorporates Amada's unique pulse cutting technology on both the penetrative and longitudinal directions for faster cutting rates with lower noise levels and increased blade life.



Automatic Dual Wire Brush System



AC Servo Blade Drive

Standard Features

- Automatic adjusting wire brush
- Automatically positioned guide arm
- Blade deviation monitor
- Blade speed controlled by inverter and pulse motor
- Chip conveyor
- CNC controls
- Full-stroke vises
- Hydraulic blade tensioning
- Motion detector
- Piece counter
- Wheel cover limit switch

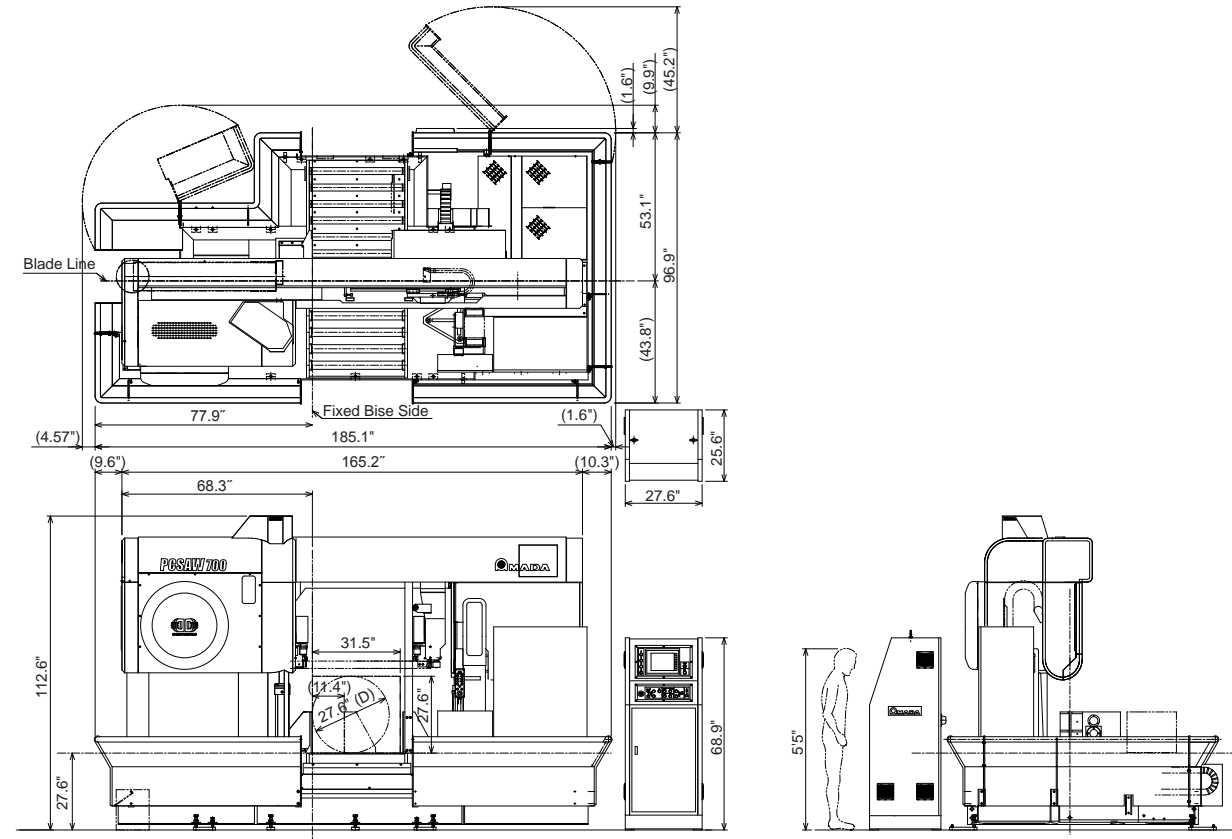
Optional Accessories

- Roller table
- Powered roller table
- External chip conveyor

PCSAW700 Machine Specifications

CAPACITY	Cutting capacity	Round (diameter)	28"	700 mm	
		Rectangle (W x H)	31.5" x 28"	800 mm x 700 mm	
	Work load capacity		26,400 lb	11,880 kg	
BLADE AND VISE OPERATION	Saw blade	Dimensions (L x T x W)	27'3" x 0.063" x 2.625"	8300 x 1.6 x 67 mm	
		Blade speed	49-261 ft/min, by inverter	15-80 m/min, by inverter	
		Tension control	Hydraulic		
	Blade control	Top limit setting	Automatic setting		
		Cutting control	CNC with pulse control, servo motor with ball screw		
	Vise operation	Type	Front and rear vise		
Control		Hydraulic full-stroke cylinder			
MOTORS	Saw blade motor	25 HP, pulse controlled	18.5 kW, pulse controlled		
	Hydraulic pump motor	5 HP	3.7 kW		
	Pulse cutting motor	1/4 HP	0.2 kW		
	Cutting fluid pump motor	1/2 HP	0.37 kW		
POWER REQUIREMENTS	Power supply voltage	AC220 ± 10%, 3 PH, 60 Hz (all other voltages require a transformer)			
	Power requirement	50 kVA			
CUTTING FLUID AND HYDRAULIC	Cutting fluid	Tank capacity	37 gal	140 liters	
		Pump type	Electric		
	Hydraulic	Tank capacity	29.1 gal	110 liters	
		Pressure setting	783 psi	5.5 MPa (55 kgf/cm ²)	
CHIP DISPOSAL	Chip conveyor				
MATERIAL INDEX	Index mechanism		Shuttle vise		
	Stroke		18.9"	480 mm	
	Length		0.984"-393.7"	25-9999.9 mm	
	Number of input stations		30 blocks, 10 stations per block		
	Number of cut-off pieces		1-999		
	Remnant length		1.8" plus length of parts	45 mm plus length of parts	
DIMENSIONS AND WEIGHT	Machine dimensions (W x L x H)		185.1" x 98.5" x 112.6"	4701 x 2501 x 2859 mm	
	Table height (above floor)		27.6"	700 mm	
	Machine weight		22,046 lb	10,000 kg	

Floor Layout



* Specifications may change without notice at the sole discretion of Amada's Engineering Department.



PCSAW720 Horizontal Pulse Cutting Bandsaw for Metal

The PCSAW720 combines Amada's unique pulse cutting technology with the capacity to handle workpieces up to $\varnothing 28.3$ " ($\varnothing 720$ mm) or 32" x 28" (815 mm x 715 mm). Pulse cutting technology reduces the cutting resistance, dramatically improving cutting rates.



Windows CNC Control



Vibration Damping

Features

Long Blade Life—The network-enabled CNC controller contains a database of optimum cutting rates with the option of real-time cutting control. This unique database ensures longer blade life and higher cutting rates, especially with carbide-tipped blades like Amada’s AXCELA blade.

Low Noise—Powerful vibration dampening rollers reduce both blade chatter and cutting noise.

Ease of Setup—The PCSAW720 utilizes a photo sensor for the quick-approach saw blade for more accurate sawing. The saw design includes larger gaps between the built-in rollers that allow for easier loading from an overhead crane.

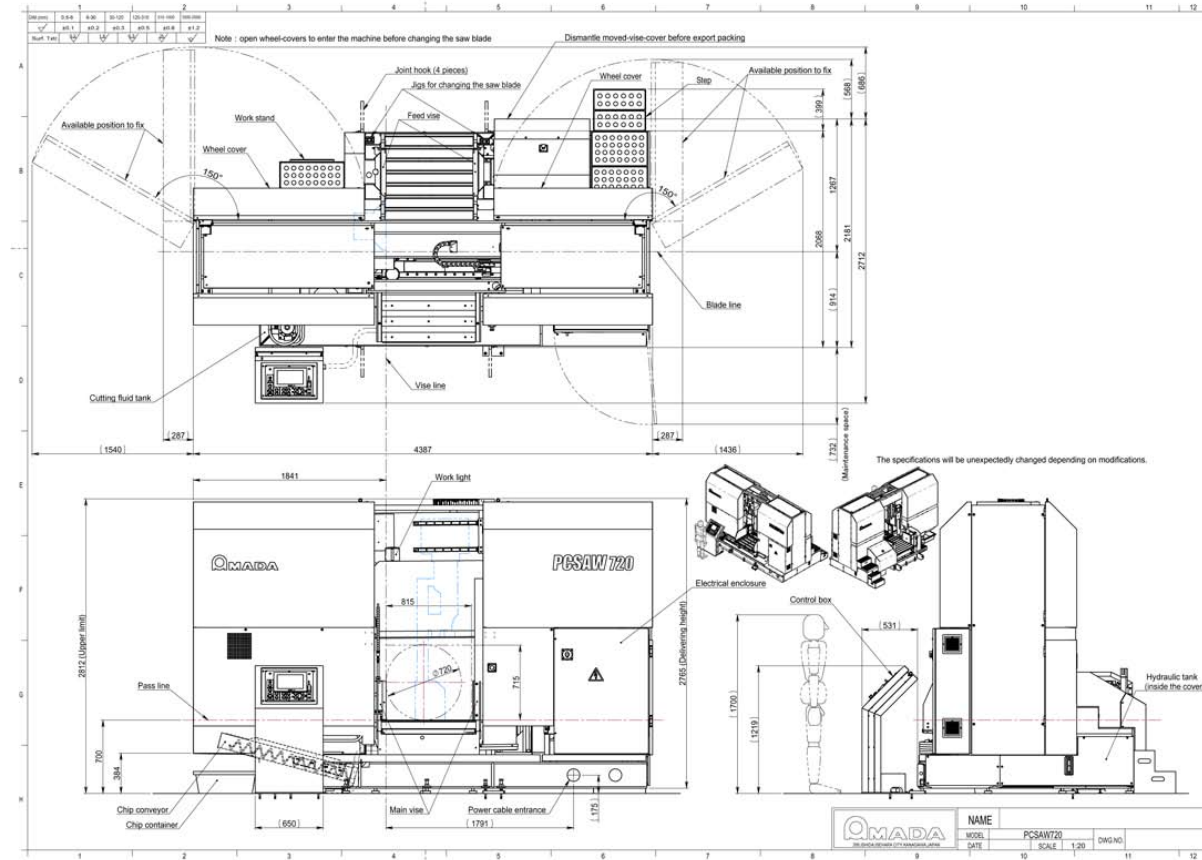
Automatic Dual Wire Brush System—The dual wire brushes contact the sides of the blade at the teeth, instantly cleaning the gullet area and avoiding excessive brush wear due to improper settings.

PCSAW720 Machine Specifications

CAPACITY	Cutting capacity	Round (diameter)	28.3"	720 mm
		Rectangle (W x H)	32" x 28"	815 mm x 715 mm
	Work load capacity		17,640 lb	8000 kg
BLADE AND VISE OPERATION	Saw blade	Dimensions (L x T x W)	27'3" x 0.063" x 2.625"	8300 x 1.6 x 67 mm
		Blade speed	49-361 ft/min, by inverter	15-110 m/min, by inverter
		Tension control	Hydraulic	
	Blade control	Top limit setting	Automatic setting with photo sensor	
Cutting control		CNC with hydraulic flow control valve with stepping motor		
Vise operation	Type	Front and rear vise		
	Control	Hydraulic full-stroke cylinder		
MOTORS	Saw blade motor	15 HP	11 kW	
	Hydraulic pump motor	5 HP	3.7 kW	
	Pulse cutting motor	1/4 HP	0.2 kW	
	Cutting fluid pump motor	1/2 HP	0.25 kW	
POWER REQUIREMENTS	Power supply voltage	AC220 ± 10%, 3 PH, 60 Hz (all other voltages require a transformer)		
	Power requirement	25 kVA		
CUTTING FLUID AND HYDRAULIC	Cutting fluid	Tank capacity	52.8 gal	200 liters
		Pump type	Electric	
	Hydraulic	Tank capacity	29.1 gal	110 liters
		Pressure setting	783 psi	5.5 MPa (55 kgf/cm ²)
CHIP DISPOSAL	Chip conveyor			
MATERIAL INDEX	Index mechanism	Shuttle vise		
	Stroke	19.68"	500 mm	
	Length	0.787"-393.70"		20-9999.9 mm
	Number of input stations	99 blocks, 99 stations per block		
	Number of cut-off pieces	1-9999		
	Remnant length	1.57" plus length of parts	40 mm plus length of parts	
DIMENSIONS AND WEIGHT	Machine dimensions (W x L x H)	172.7" x 85.9" x 110.7"		4387 x 2181 x 2813 mm
	Table height (above floor)	27.6"		700 mm
	Machine weight	17,640 lb		8000 kg

PCSAW720

Floor Layout



SAWING TECHNOLOGY

VM Series

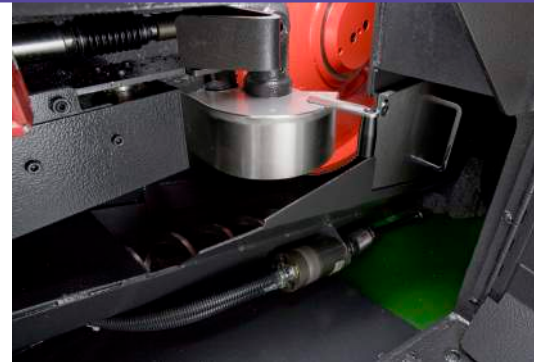
With more and more businesses embracing “just-in-time” supply chain management, customers are demanding more flexibility and agility from their steel service centers. That means being able to provide more kinds of steel in different sizes more quickly, and that requires the right tools for the job.

Amada’s vertical bandsaws come in a variety of sizes and configurations to meet your needs, and they all feature the legendary Amada quality that delivers long, straight, highly accurate cuts for decades of productive service.

VM420, VM1200, VM2500, VM2500WT, VM3800 and VM6500



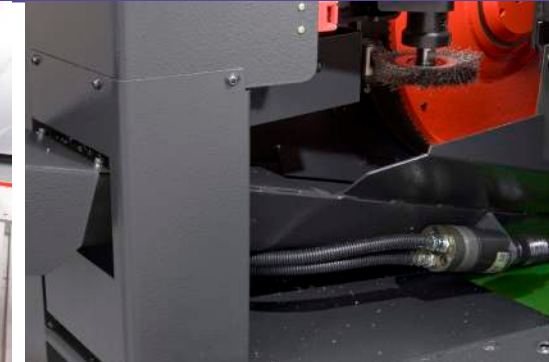
Control Panel



Auto Adjust Wire Brush



Auto Back Gauge



Hydraulic-Driven Chip Removal

MODEL	CUTTING CAPABILITY (L x H)	THROAT DEPTH
VM420	16.5" x 5.9" (420 mm x 150 mm)	11.8" (300 mm)
VM1200	48" x 20" (1219 mm x 508 mm)	20" (508 mm)
VM2500	99" x 20" (2515 mm x 508 mm)	20" (508 mm)
VM2500WT	99" x 20" (2515 mm x 508 mm)	40" (1016 mm)
VM3800	149.6" x 23.6" (3800 mm x 600 mm)	31.5" (800 mm)
VM6500	255.9" x 23.6" (6500 mm x 600 mm)	31.5" (800 mm)

MODEL	CUTTING CAPABILITY (L x H)	THROAT DEPTH
TVM7600	25'0" x 47.2" (7620 mm x 1200 mm)	63" (1600 mm)

STANDARD FEATURES	VM420	VM1200	VM2500	VM2500WT	VM3800	VM6500
AC servo motor table feed		•	•	•	•	•
Auto blade guide positioning		•	•	•	•	•
Blade deviation monitor		•	•	•	•	•
Blade speed display		•	•	•	•	•
Centralized operator station	•	•	•	•	•	•
Chip conveyor		•	•	•	•	•
Cutting length control		•	•	•	•	•
Cutting rate display		•	•	•	•	•
Full-stroke clamping vise (420 only)						
Hydraulic table feed	•					
Motion detector	•	•	•	•	•	•
NC auto gauge (420 only)	•					
NC programmable control		•	•	•	•	•
Variable blade speed by inverter	•	•	•	•	•	•
Wheel cover limit switch	•	•	•	•	•	•
Work height sensor		•	•	•	•	•
Work stopper		•	•	•	•	•

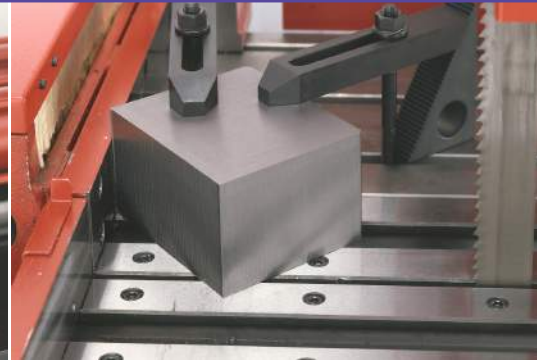
OPTIONAL ACCESSORIES	VM420	VM1200	VM2500	VM2500WT	VM3800	VM6500
Beacon		•	•	•	•	•
Clamp kits	•	•	•	•	•	•
Laser beam marking		•	•	•	•	•
T slot clamps (pair)	•	•	•	•	•	•



Easy Setup



Material Clamping Vise



Mechanical Work Holding



NC Auto Back Gauge

VM420 Features

Flow Feed Control—The flow control ensures the optimum cutting rate can be obtained regardless of the section or alloy being cut. The flow control sets the maximum feed rate of the head.

Manual Positioning of Saw Table—The table positioning buttons actuate solenoid valves to rapidly position the table forward or backward. Manual movement of the table is performed from the control panel, and the controls incorporate safety interlocks.

NC Auto Back Gauge—The NC auto back gauge and stopper ensure easy material setting and squareness of material.

Full-Stroke Clamping Vise—The full-stroke clamping vise reduces the operator setup time for material clamping. Also, it allows for a cut-off length of 0.118" (3 mm).

VM1200, VM2500, VM2500WT, VM3800 and VM6500 Features

Drive Wheel Transmission—The helical gear motor delivers proper torque and power to the cutting edge for the most economical cutting in even the toughest materials.

Blade Deviation Monitor—The blade deviation monitor constantly displays the current blade cutting conditions and has independently adjustable limits for each direction. If the blade deviation exceeds any limits for more than 90 seconds, the machine will stop. Using the cutting display in conjunction with the runout detector enables the operator to optimize the cutting performance to achieve the desired rate and accuracy.

Automatic Blade Guide Positioning—The height of the rigid saw blade guide is positioned automatically by a hydraulic motor. Appropriate adjustment of the saw blade guide assures the straightest possible cutting.

Table Feed System—The rigid bed and accurate AC servo motor feeding function ensure precision cutting of hard materials. As the system can feed the material at a variety of speeds, these machines can precisely cut materials ranging from aluminum to hard-to-cut steels.



Hydraulic Material Fine Positioning



NC Control

VM1200, VM2500, VM2500WT, VM3800 and VM6500 Features

Control System—Conventional flow control valve systems require operators to apply subtle adjustments according to the quality and shape of each material being cut. However, the CNC units of these machines employ Amada’s advanced bandsaw technology, eliminating the need for valve adjustment. Once the cutting conditions of a material have been stored in the system, the cutting rate and blade speed are automatically controlled. In addition, the cutting conditions can be changed during cutting operations. The cutting results and conditions of the saw blade in use are displayed on the monitor for quick reference.

Idler Wheel Motion Detector—The idler wheel motion detector will turn off the blade drive in the event of a blade breaking or jamming in the workpiece. This feature prevents premature wear on the drive wheel from a stalled band.

TVM7600 Features

Saw Head Tracking—The saw head tracking allows the TVM7600 to cut long pieces without requiring a large area.

Control System—Conventional flow control valve systems require subtle valve adjustments according to the quality and shape of each material being cut. However, the CNC unit of this machine employs Amada’s advanced bandsaw technology, eliminating the need for valve adjustment. Once the cutting conditions of a material have been stored in the system, the cutting rate and blade speed are automatically controlled. In addition, the cutting conditions can be changed during cutting operations. The cutting results and conditions of the saw blade in use are displayed on the monitor for quick reference.

Chip Conveyor—Cutting large pieces over a long period of time produces a large amount of chips, which is why the TVM7600 features a large chip conveyor to remove chips from the entire table, supporting continuous operation and eliminating the need for the operator to remove chips.

Rigid Arch Frame and Twin-Rail Moving System—To ensure consistent, accurate cutting of large pieces over the life of the machine, the TVM7600 was designed with a rigid arch frame and twin-rail moving system. With the head vibration minimized during cutting, you can achieve exceptionally straight and precise cuts.

Automatic Positioning Mechanism (option)— With the automatic index option, the material is held with the upper clamping unit and the cutting position is determined quickly without requiring manual operation. Also, use of this mechanism makes it possible to automate cutting for a single material.

Standard Features

- Band deviation monitor
- Chip conveyor
- Material hold down (at upper guide arm)
- NC feed control
- Power material handling systems (not auto index)

Optional Accessories

- Automatic index

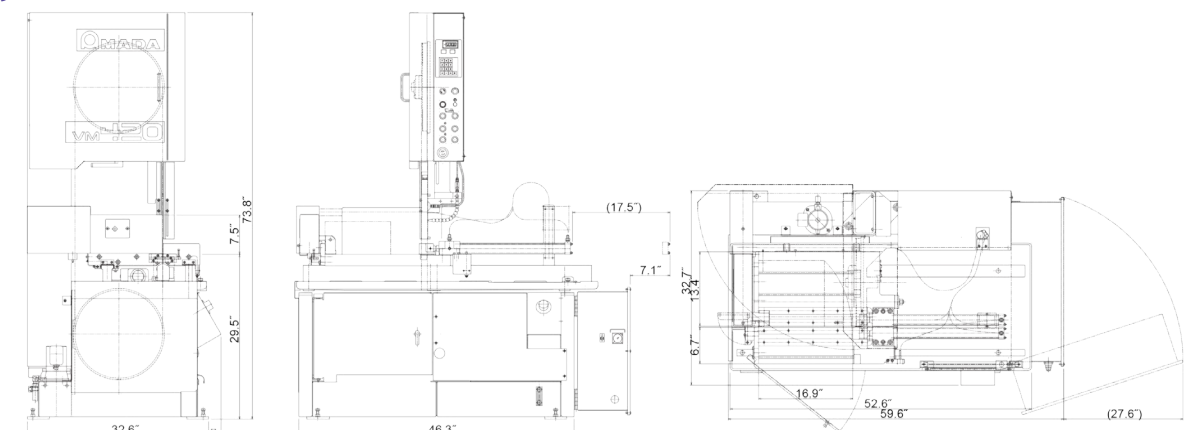


VM420 Machine Specifications

CAPACITY	Cutting capacity (LxH)	16.5" x 5.9"	420-150 mm
	Throat depth	11.8"	300 mm
	Work load capacity	441 lb	200 kg
BLADE AND VISE OPERATION	Saw blade	Dimensions (L x T x W)	11'6" x 0.042" x 1.25" 3505 x 1.1 x 34 mm
		Blade speed	49.2-295 ft/min, by inverter 15-90 m/min, by inverter
		Tension control	Hydraulic
	Blade control	Cutting control	Hydraulic pressure and flow control valve
	Vise operation	Type	Front and rear vise
MOTORS		Control	Hydraulic full-stroke cylinder
	Saw blade motor	3 HP	2.2 kW
	Hydraulic pump motor	1 HP	0.75 kW
	Cutting fluid pump motor	1/8 HP	0.10 kW
	Wire brush motor	1/10 HP	0.06 kW
	Back gauge motor	1/4 HP	0.20 kW
POWER REQUIREMENTS	Power supply voltage	AC220 ± 10%, 3 PH, 60 Hz (all other voltages require transformer)	
	Power requirement	5.5 kVA	
CUTTING FLUID AND HYDRAULIC	Cutting fluid	Tank capacity	12.1 gal 46 liters
		Pump type	Electric
	Hydraulic	Tank capacity	10.5 gal 40 liters
		Pressure setting	384 psi 2.7 MPa (27 kgf/cm ²)
CHIP DISPOSAL	Manual		
FEED	Feed mechanism	Table feed, hydraulic	
	Feed stroke	17.52"	445 mm
	NC back gauge	0.118"-12.008"	3-305 mm
DIMENSIONS AND WEIGHT	Machine dimensions (W x L x H)	59.64" x 32.67" x 73.78"	1515 x 830 x 1874 mm
	Table height (above floor)	29.5"	750 mm
	Machine weight	1984 lb	900 kg

VM420

Floor Layout



* Specifications may change without notice at the sole discretion of Amada's Engineering Department.

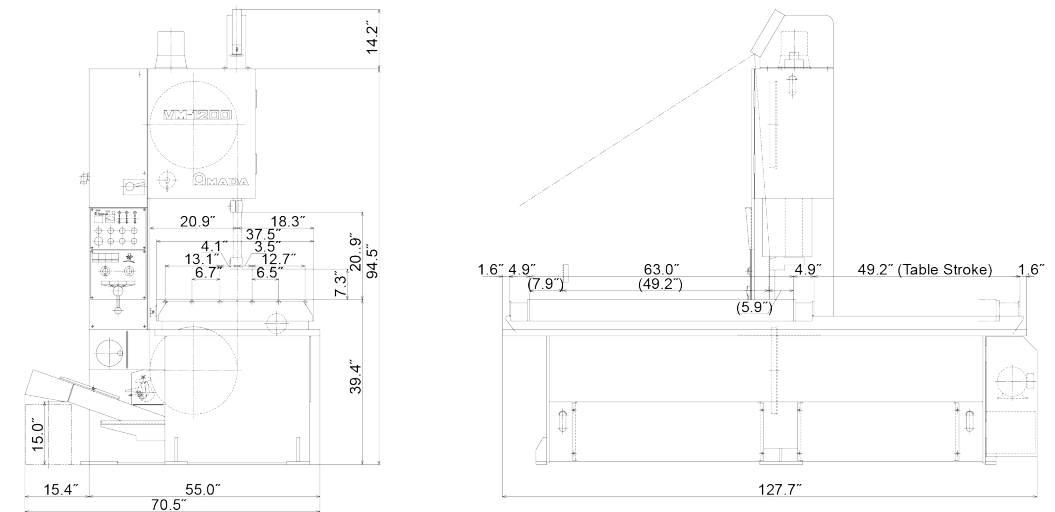


VM1200

VM1200 Machine Specifications

CAPACITY	Cutting capacity (L x H)	48" x 20"	1219 x 508 mm
	Throat depth	20"	508 mm
	Work load capacity	4410 lb	2000 kg
BLADE AND VISE OPERATION	Saw blade	Dimensions (L x T x W)	15'4" x 0.063" x 2" 4670 x 1.6 x 54 mm
		Blade speed	33-295 ft/min, by inverter 10-90 m/min, by inverter
	Tension control	Hydraulic	
	Blade control	Cutting control	AC servo motor
MOTORS	Saw blade motor	7.5 HP	5.5 kW
	Hydraulic pump motor	1 HP	0.75 kW
	Cutting fluid pump motor	1/4 HP	0.18 kW
	Wire brush motor	1/8 HP	0.09 kW
POWER REQUIREMENTS	Power supply voltage	AC220 ± 10%, 3 PH, 60 Hz (all other voltages require transformer)	
	Power requirement	11 kVA	
CUTTING FLUID AND HYDRAULIC	Cutting fluid	Tank capacity	27.7 gal 105 liters
		Pump type	Electric
	Hydraulic	Tank capacity	2.6 gal 10 liters
		Pressure setting	498 psi 3.5 MPa (35 kgf/cm ²)
CHIP DISPOSAL	Chip conveyor		
FEED	Feed mechanism	Table feed, AC servo motor with rack and pinion	
	Feed stroke	49.2"	1250 mm
DIMENSIONS AND WEIGHT	Machine dimensions (W x L x H)	79.5" x 128.5" x 96.5"	2020 x 3263 x 2450 mm
	Table height (above floor)	39.6"	1005 mm
	Machine weight	7277 lb	3300 kg

Floor Layout



* Specifications may change without notice at the sole discretion of Amada's Engineering Department.

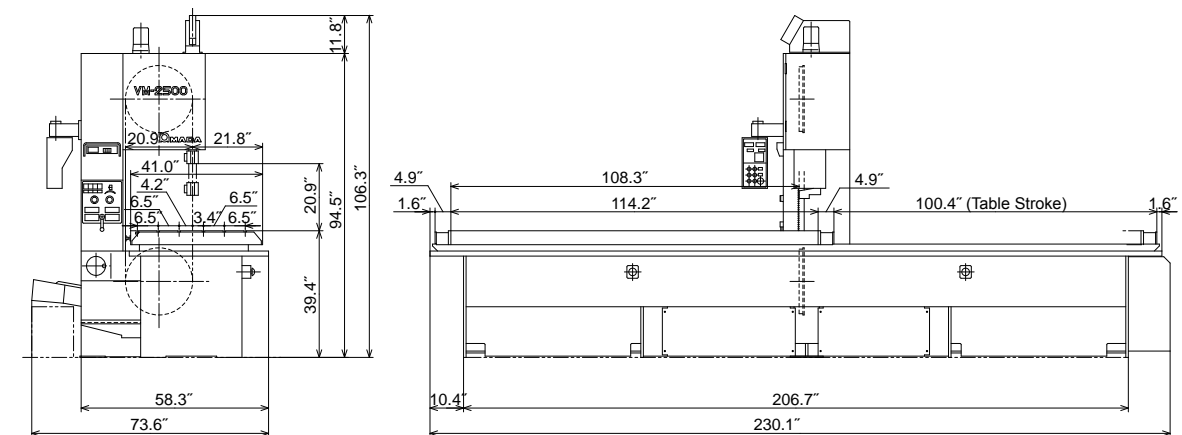


VM2500

VM2500 Machine Specifications

CAPACITY	Cutting capacity (L x H)	99" x 20"	2515 x 508 mm
	Throat depth	20"	508 mm
	Work load capacity	11,025 lb	5000 kg
BLADE AND VISE OPERATION	Saw blade	Dimensions (L x T x W)	15'4" x 0.063" x 2" 4670 x 1.6 x 54 mm
		Blade speed	33-295 ft/min, by inverter 10-90 m/min, by inverter
		Tension control	Hydraulic
	Blade control	Cutting control	AC servo motor
MOTORS	Saw blade motor	7.5 HP	5.5 kW
	Hydraulic pump motor	1 HP	0.75 kW
	Cutting fluid pump motor	1/4 HP	0.18 kW
	Wire brush motor	1/8 HP	0.09 kW
POWER REQUIREMENTS	Power supply voltage	AC220 ± 10%, 3 PH, 60 Hz (all other voltages require transformer)	
	Power requirement	11 kVA	
CUTTING FLUID AND HYDRAULIC	Cutting fluid	Tank capacity	27.7 gal 105 liters
		Pump type	Electric
	Hydraulic	Tank capacity	2.6 gal 10 liters
		Pressure setting	498 psi 3.5 MPa (35 kgf/cm ²)
CHIP DISPOSAL	Chip conveyor		
FEED	Feed mechanism	Table feed, AC servo motor with rack and pinion	
	Feed stroke	100.4"	2550 mm
DIMENSIONS AND WEIGHT	Machine dimensions (W x L x H)	79.5" x 230.8" x 96.5"	2020 x 5863 x 2450 mm
	Table height (above floor)	39.6"	1005 mm
	Machine weight	12,128 lb	5500 kg

Floor Layout

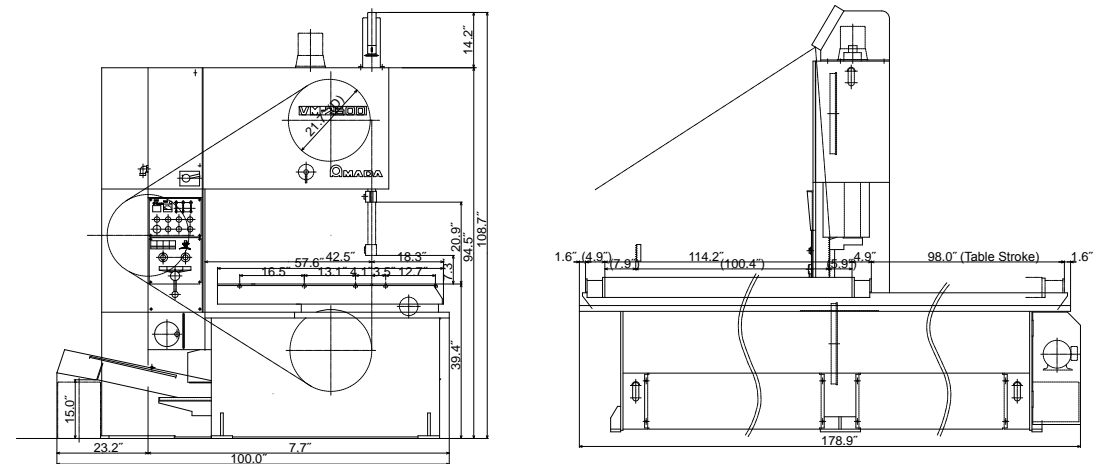




VM2500WT Machine Specifications

CAPACITY	Cutting capacity (L x H)	99" x 20"	2515 x 508 mm
	Throat depth	40"	1016 mm
	Work load capacity	11,023 lb	5000 kg
BLADE AND VISE OPERATION	Saw blade	Dimensions (L x T x W)	19'5.5" x 0.063" x 2" 5930 x 1.6 x 54 mm
		Blade speed	33-295 ft/min, by inverter 10-90 m/min, by inverter
	Tension control	Hydraulic	
	Blade control	Cutting control	AC servo motor
MOTORS	Saw blade motor	7.5 HP	5.5 kW
	Hydraulic pump motor	1 HP	0.75 kW
	Cutting fluid pump motor	1/4 HP	0.18 kW
	Wire brush motor	1/8 HP	0.09 kW
POWER REQUIREMENTS	Power supply voltage	AC220 ± 10%, 3 PH, 60 Hz (all other voltages require transformer)	
	Power requirement	11 kVA	
CUTTING FLUID AND HYDRAULIC	Cutting fluid	Tank capacity	27.7 gal 105 liters
		Pump type	Electric
	Hydraulic	Tank capacity	2.6 gal 10 liters
		Pressure setting	498 psi 3.5 MPa (35 kgf/cm ²)
CHIP DISPOSAL	Chip conveyor		
FEED	Feed mechanism	Table feed, AC servo motor with rack and pinion	
	Feed stroke	100.4"	2550 mm
	Machine dimensions (W x L x H)	103.5" x 230.8" x 96.5"	2629 x 5863 x 2450 mm
DIMENSIONS AND WEIGHT	Table height (above floor)	39.6"	1005 mm
	Machine weight	12,128 lb	5500 kg

Floor Layout



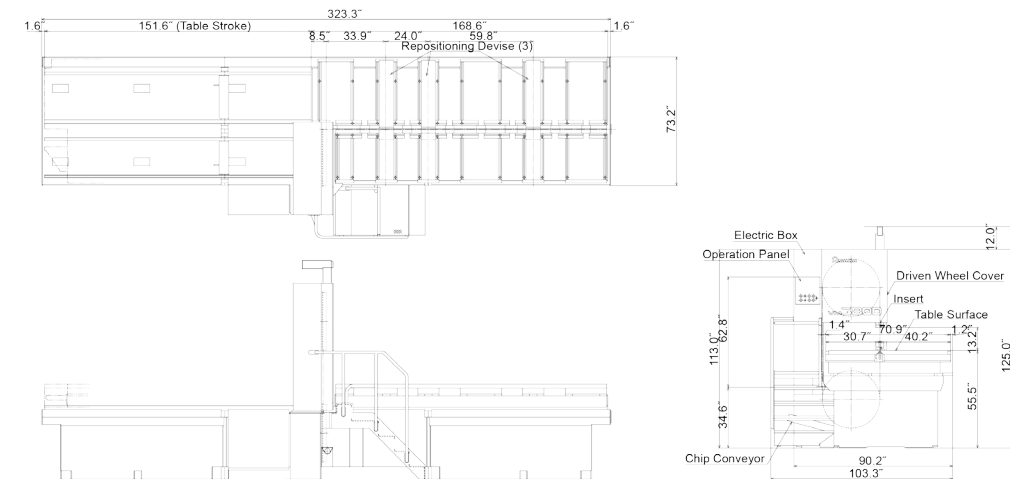
* Specifications may change without notice at the sole discretion of Amada's Engineering Department.



VM3800 Machine Specifications

CAPACITY	Cutting capacity (L x H)	149.6" x 24"	3800 x 600 mm
	Throat depth	32"	800 mm
	Work load capacity	26,450 lb	12,000 kg
BLADE AND VISE OPERATION	Saw blade	Dimensions (L x T x W)	21' 0" x 0.063" x 2.625" 6400 x 1.6 x 67 mm
		Blade speed	33-262 ft/min, by inverter 10-80 m/min, by inverter
		Tension control	Hydraulic
	Blade control	Cutting control	AC servo motor
MOTORS	Saw blade motor	10 HP	7.5 kW
	Hydraulic pump motor	2 HP	1.5 kW
	Cutting fluid pump motor	1/2 HP	0.18 kW
	Table feed motor	1 HP	0.75 kW
	Wire brush motor	1/8 HP	0.09 kW
POWER REQUIREMENTS	Power supply voltage	AC220 ± 10%, 3 PH, 60 Hz (all other voltages require transformer)	
	Power requirement	14 kVA	
CUTTING FLUID AND HYDRAULIC	Cutting fluid	Tank capacity	47.6 gal 180 liters
		Pump type	Electric
	Hydraulic	Tank capacity	3.96 gal 15 liters
		Pressure setting	784 psi 5.5 MPa (55 kgf/cm ²)
CHIP DISPOSAL	Chip conveyor		
FEED	Feed mechanism	Table feed, AC servo motor with rack and pinion	
	Feed stroke	151.6"	3850 mm
DIMENSIONS AND WEIGHT	Machine dimensions (W x L x H)	105.4" x 333.5" x 124.3"	2678 x 8472 x 3156 mm
	Table height (above floor)	55.5"	1410 mm
	Machine weight	22,050 lb	10,000 kg

Floor Layout



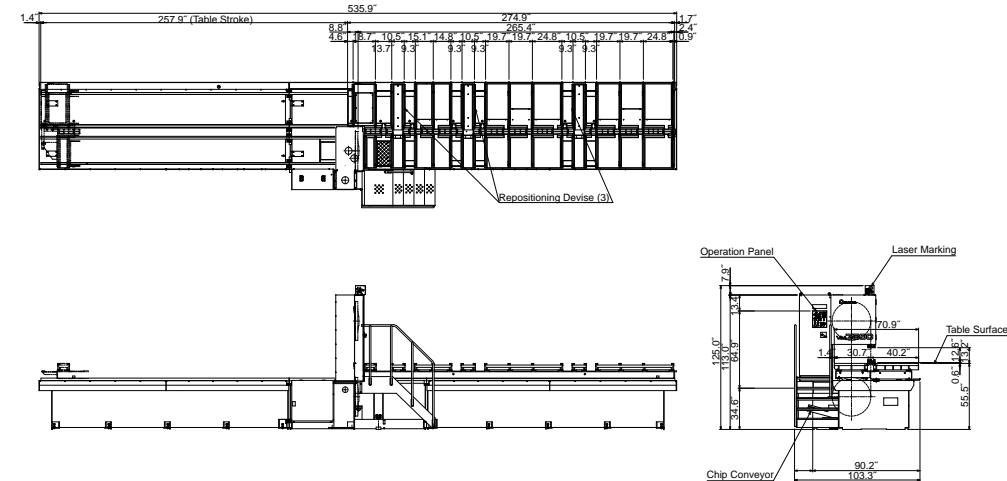
* Specifications may change without notice at the sole discretion of Amada's Engineering Department.

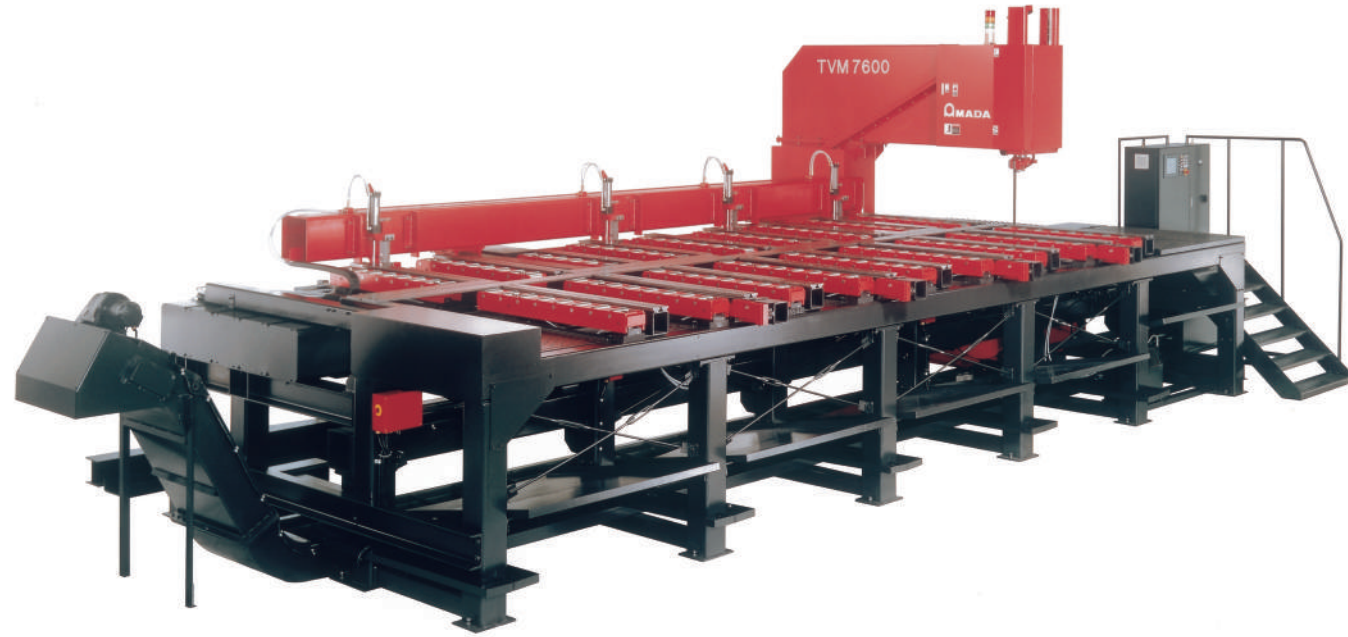


VM6500 Machine Specifications

CAPACITY	Cutting capacity (L x H)	255.9" x 23.6"	6500 x 600 mm
	Throat depth	31.5"	800 mm
	Work load capacity	52,920 lb	24,000 kg
BLADE AND VISE OPERATION	Saw blade	Dimensions (L x T x W)	21' 0" x 0.063" x 2.625" 6400 x 1.6 x 67 mm
		Blade speed	33-262 ft/min, by inverter 10-80 m/min, by inverter
	Tension control	Hydraulic	
	Blade control	Cutting control	AC servo motor
MOTORS	Saw blade motor	10 HP	7.5 kW
	Hydraulic pump motor	2 HP	1.5 kW
	Cutting fluid pump motor	1/2 HP	0.18 kW
	Table feed motor	1 HP	0.75 kW
	Wire brush motor	1/8 HP	0.09 kW
POWER REQUIREMENTS	Power supply voltage	AC220 ± 10%, 3 PH, 60 Hz (all other voltages require a transformer)	
	Power requirement	14 kVA	
CUTTING FLUID AND HYDRAULIC	Cutting fluid	Tank capacity	47.6 gal 180 liters
		Pump type	Electric
	Hydraulic	Tank capacity	3.96 gal 15 liters
		Pressure setting	784 psi 5.5 MPa (55 kgf/cm ²)
CHIP DISPOSAL	Chip conveyor		
FEED	Feed mechanism	Table feed, AC servo motor with rack and pinion	
	Feed stroke	257.9"	6550 mm
DIMENSIONS AND WEIGHT	Machine dimensions (W x L x H)	105.4" x 546.1" x 124.3"	2678 x 13,872 x 3156 mm
	Table height (above floor)	55.5"	1410 mm
	Machine weight	35,280 lb	16,000 kg

Floor Layout



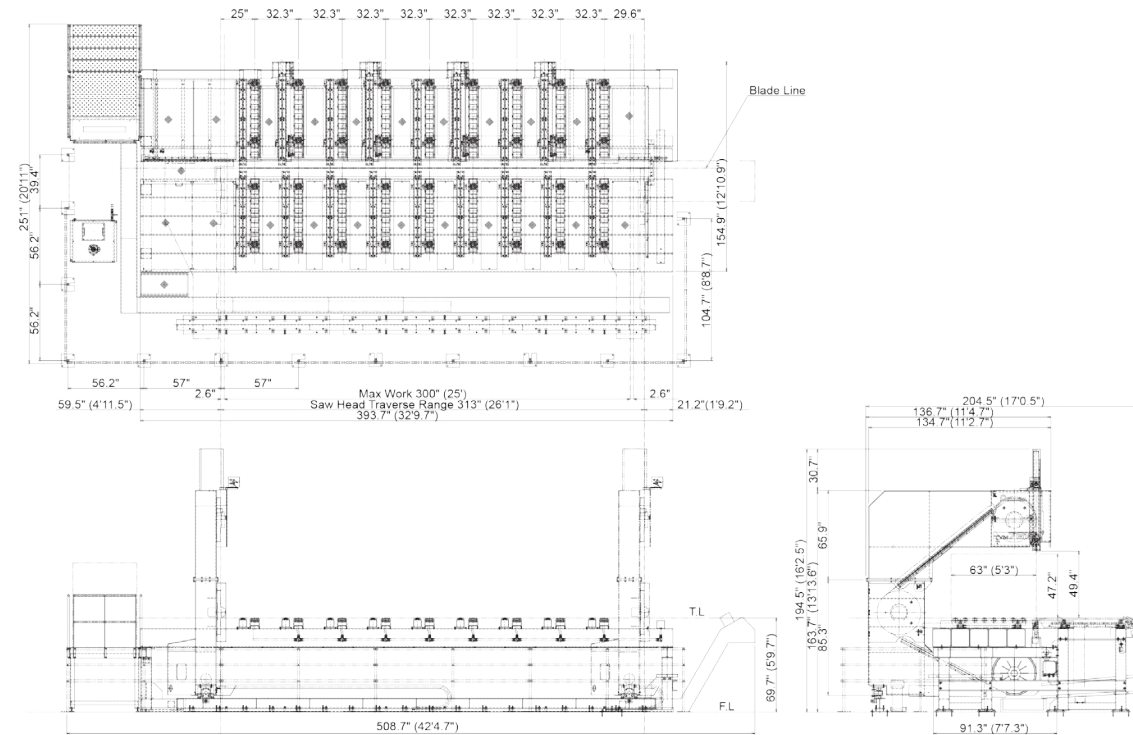


TVM7600 Machine Specifications

CAPACITY	Cutting capacity (L x H)	25' 0" x 47.2"	7620 x 1200 mm	
	Throat depth	63"	1600 mm	
	Work load capacity	88,200 lb	40,000 kg	
BLADE AND VISE OPERATION	Saw blade	Dimensions (L x T x W)	35' 0" x 0.063" x 2.625"	10,680 x 1.6 x 67 mm
		Blade speed	40-230 ft/min	12-70 m/min
		Tension control	Hydraulic	
	Blade control	Cutting control	AC servo motor	
MOTORS	Saw blade motor	15 HP	11 kW	
	Hydraulic pump motor	5 HP	3.7 kW	
	Saw feed motor (AC servo motor)	1 HP	1.0 kW	
	Cutting fluid pump motor	1/2 HP	0.4 kW	
POWER REQUIREMENTS	Power supply voltage	AC220 ± 10%, 3 PH, 60 Hz		
	Power requirement	26 kVA		
CUTTING FLUID AND HYDRAULIC	Cutting fluid	Tank capacity	355 gal	1350 liters
		Pump type	Electric	
	Hydraulic	Tank capacity	9.2 gal	35 liters
		Pressure setting	783 psi	5.5 MPa (55 kgf/cm ²)
CHIP DISPOSAL	Chip conveyor			
FEED	Feed mechanism	Saw head feed, AC servo motor with rack and pinion		
	Feed stroke	300"	7620 mm	
DIMENSIONS AND WEIGHT	Machine dimensions (W x L x H)	Head up position	204.5" x 393.7" x 194.5"	5194 x 10,000 x 4939 mm
	Table height (above floor)	70"	1770 mm	
	Machine weight	79,380 lb	360,000 kg	

TVM7600

Floor Layout



* Specifications may change without notice at the sole discretion of Amada's Engineering Department.



SAWING TECHNOLOGY

CMB Series

The CMB Series of circular saws is designed for high-precision cutting with short cycle times and maximum productivity. For bar stock or tubes, CMB circular saws offer the quality, features, and reliability that have made Amada an industry leader.



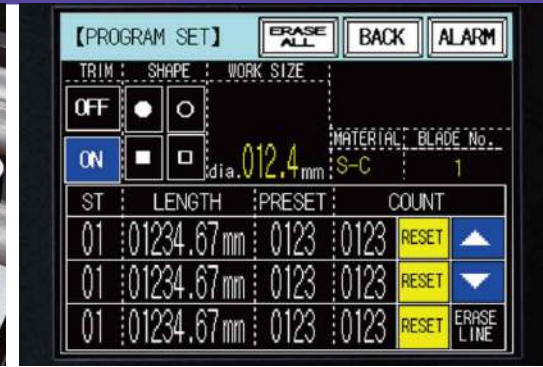
Electric Blade Brake



Vertical Hold-Down



Hydraulic Material Clamping



User-Friendly CNC Control

MODEL	CUTTING CAPABILITY ROUND (DIAMETER)	CUTTING CAPABILITY RECTANGLE (W x H)
CMB75CNC	0.394"-3.0" (10 mm-76.3 mm)	0.394" x 0.394"-2.36" x 2.36" (10 mm x 10 mm-60 mm x 60 mm)
CMB100CNC	0.98"-4.0" (25 mm-101.6 mm)	0.98" x 0.98"-2.95" x 2.95" (25 mm x 25 mm-75 mm x 75 mm)
CMB150CNC	2.95"-6.0" (75 mm-152.4 mm)	2.95" x 2.95"-3.94" x 3.94" (75 mm x 75 mm-100 mm x 100 mm)
CMB230	3.15"-9.0" (8-230 mm)	3.15" x 3.15"-6.3" x 6.3" (80 mm x 80 mm-160 mm x 160 mm)
CM400	0.394"-2.36" (10 mm-60 mm)	NA

Features

High-Speed, High-Precision Cutting—CMB circular saws feature an oblique-slide (from the upper oblique direction) cutting mechanism. With high-precision positioning to within ± 0.0004" (0.01 mm) and a rake angle optimized for bar steel materials, fast and accurate cutting is ensured.

Unique Carbide-Tipped Tools—The saw blade is an essential component in high-speed, high-precision cutting. That's why we developed a unique carbide-tipped saw that delivers clean cuts with virtually no burrs. The CMB Series can also utilize high-speed steel blades.

Capable of Cutting a Wide Range of Materials—CMB circular saws can process a wide variety of steel materials, including round bars and rectangular bars in mild steel, stainless steels, tool steels, and nonferrous materials.

Spray-Mist Lubricant Reduces Cleanup—These machines incorporate a semi-dry cutting system that generates eco-friendly oil-mist, so workpieces get less wet when cutting and downstream processing is greatly reduced.

Clean Cut Material Faces—With the high-precision cutting these machines can deliver, the cut face on the workpiece comes out much cleaner compared to bandsaw cuts. As no cleanup work is required, your overall processing time is reduced.

Longer Circular Saw Blade Life—Using oblique-slide cutting and a cemented carbide pad (to dampen vibration), the service life of the saw blade can be greatly increased, reducing your cost per cut.

High Rigidity and Stability—The highly rigid machine frame reliably supports high-speed operation while the cutting and material feed sections of the machine incorporate AC servo motors and ball screws to ensure stability in high-precision cutting.

High-Precision Auto-Sizing Device—Using a photoelectric switch to detect the leading edge of the workpiece, the auto-sizing device incorporates a gripper that grips the workpiece from the right and left sides, correctly positions the workpiece, and feeds it with high precision.

Cut-In Control by CNC—The input section includes an easy-to-read LCD touch panel with an intuitive layout, allowing the operator to generate machining data, register auto operation programs, and operate the saw.

Power Clutch System—This unique clutch system absorbs backlash on the drive gearing, ensuring the saw blade is correctly positioned at the beginning of the cut and providing a clean and smooth cut face.

High-Speed Gripper—To help reduce total machining time, we incorporated a high-speed gripper and high-speed vises in the cutting area. The gripper is equipped with a retraction function to avoid scratching of the workpieces.

Delivery Chute—The severed leading edges of workpieces are automatically directed to a scrap box. After the cutting of products has begun, the delivery chute automatically shifts its position, and the products are stowed in a product box.

45-Degree Oblique-Slide System (Down Cut)—The position of the saw head shortens cutting distance and lead times.

Standard Accessories

Automatic Loader—The automatic loader allows for continuous, unattended operation at the maximum working speed of the saw.

High-Capacity Loading Table—The loading table of the CMB75CNC, for example, can handle a total of ten 3" round steel bar workpieces (maximum of two tons) at once.

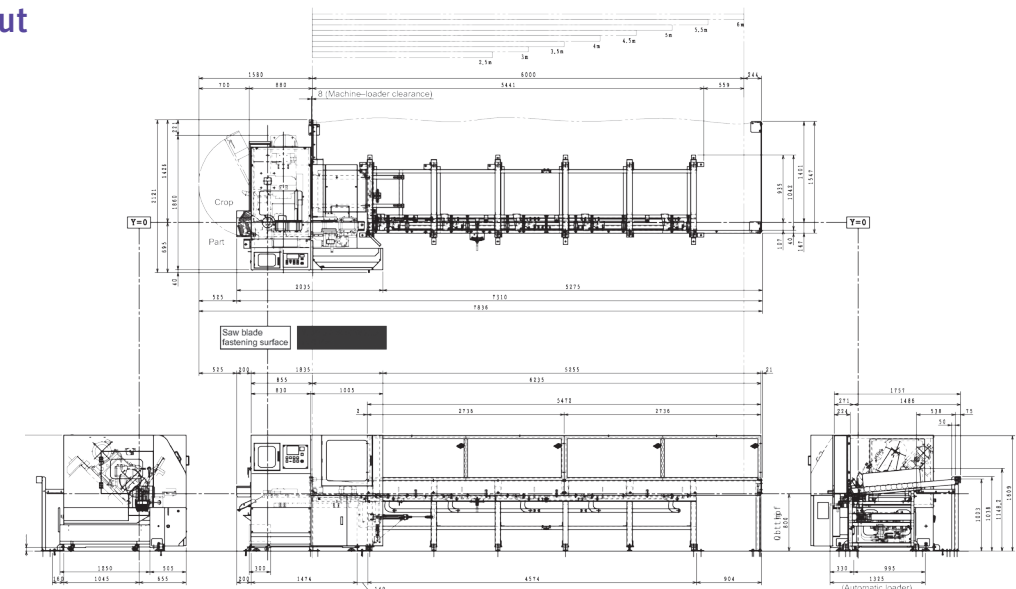


CMB75CNC Machine Specifications

CAPACITY	Cutting capacity	Round (diameter)	0.394"-3.0"	10-76.3 mm
		Rectangle (W x H)	0.394" x 0.394"-2.36" x 2.36"	10 x 10-60 x 60 mm
	Maximum stock table loading capacity, round bars (L x D)	19.6' x 3" x 10 bars or 4761 lb*	6000 x 76.3 mm x 10 bars or 2160 kg*	
	Incline table dimensions (L x W x H)	17.8' x 49.6" x 45.2"	5447 x 1260 x 1148 mm	
BLADE AND SAW HEAD	Saw blade	Blade speed	56-197 rpm, by inverter	
		Number of teeth	60 or 80	
		OD x bore x T	11.2" x 1.57" x 0.08"	285 x 40 x 2.0 mm
	Saw head	Feed drive	Hydraulic cylinder	
MOTORS	Saw blade motor	10 HP	7.5 kW	
	Hydraulic pump motor	2 HP	1.5 kW	
	Cut-to-length feed motor	1 HP, servo motor	0.8 kW, servo motor	
POWER REQUIREMENTS	Power supply voltage	AC220 ± 10%, 3 PH, 60 Hz (all other voltages require transformer)		
	Power requirement	29.1 kVA		
HYDRAULIC	Tank capacity	5.3 gal	20 liters	
	Index mechanism	Shuttle vise		
MATERIAL INDEX	Material index	AC servo motor and ball screw		
	Stroke	28.1"	715 mm	
	Length	0.394"~472.44" (multiple indexing)	10-12,000 mm (multiple indexing)	
	End trimming length	0.394"~1.57"	10-40 mm	
	Remnant length	0.98" plus index length	25 mm plus index length	
DIMENSIONS AND WEIGHT	Machine dimensions (W x L x H)	65.6" x 82.7" x 62.3"	1667 x 2100 x 1582 mm	
	Machine weight	4409 lb	2000 kg	

* Evenly distributed over entire table.

Floor Layout



CMB100CNC

Circular Saws for Bar Material

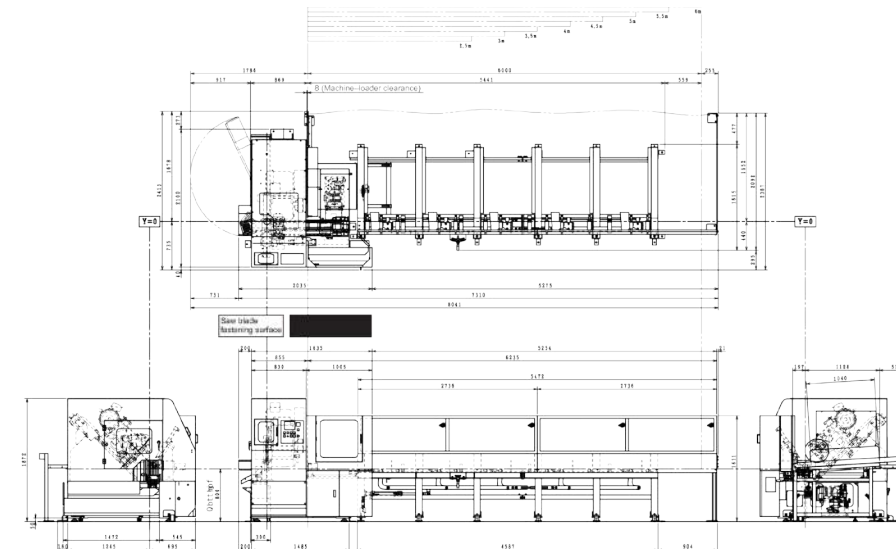


CMB100CNC Machine Specifications

CAPACITY	Cutting capacity	Round (diameter)	0.98"-4.0"	25-101.6 mm
		Rectangle (W x H)	0.98" x 0.98"-2.95" x 2.95"	25 x 25-75 x 75 mm
	Maximum stock table loading capacity, round bars (L x D)		19.6' x 4.0" x 6 bars or 5070 lb*	6000 x 101.6 mm x 6 bars or 2300 kg*
	Incline table dimensions (L x W x H)		17.6' x 45.7' x 44.3"	5367 x 1160 x 1124 mm
BLADE AND SAW HEAD	Saw blade	Blade speed	53-208 rpm, by inverter	
		Number of teeth	60, 80 or 100	
		OD x bore x T	14.1" x 1.57" x 0.10"	360 x 40 x 2.6 mm
	Saw head	Feed drive	AC servo motor with ball screw	
MOTORS	Saw blade motor	15 HP	11 kW	
	Hydraulic pump motor	2 HP	1.5 kW	
	Cut-to-length feed motor	1 HP, servo motor	0.8 kW, servo motor	
POWER REQUIREMENTS	Power supply voltage	AC220 ± 10%, 3 PH, 60 Hz (all other voltages require transformer)		
	Power requirement	32.9 kVA		
HYDRAULIC	Tank capacity	5.3 gal	20 liters	
	Index mechanism	Shuttle vise		
MATERIAL INDEX	Material index	AC servo motor and ball screw		
	Stroke	28.1"	715 mm	
	Length	0.394"~472.44" (multiple indexing)	10~12,000 mm (multiple indexing)	
	End trimming length	0.394"~1.57"	10~40 mm	
	Remnant length	1.18" plus index length	30 mm plus index length	
DIMENSIONS AND WEIGHT	Machine dimensions (W x L x H)	73.1" x 82.7" x 70.6"	1857 x 2100 x 1792 mm	
	Machine weight	5291 lb	2400 kg	

*Evenly distributed over entire table.

Floor Layout



CMB100CNC

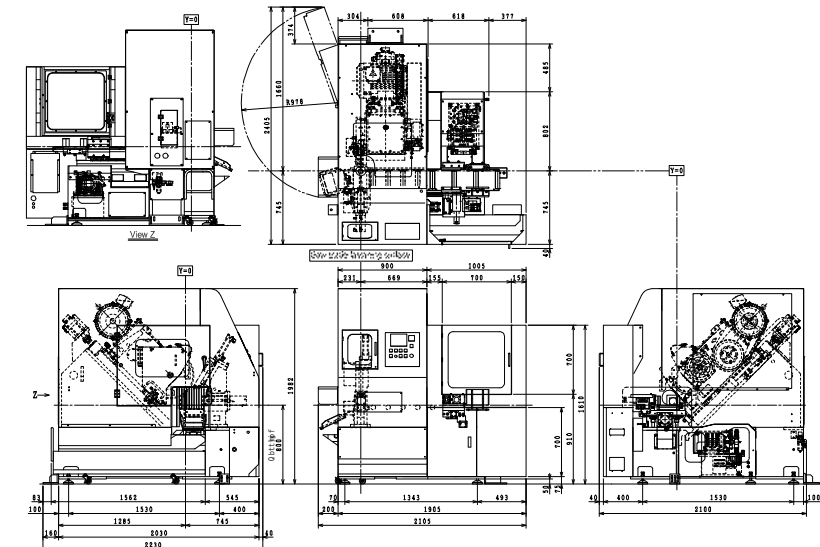


CMB150CNC Machine Specifications

CAPACITY	Cutting capacity	Round (diameter)	2.95"-6.0"	75-152.4 mm
		Rectangle (W x H)	2.95" x 2.95"-3.94" x 3.94"	75 x 75-100 x 100 mm
	Maximum stock table loading capacity, round bars (L x D)	19.7' x 6.0" x 3 bars or 5732 lb*	6000 x 152.4 mm x 3 bars or 2600 kg*	
	Incline table dimensions (L x W x H)	17.8' x 46.9" x 44.0"	5431 x 1190 x 1117 mm	
BLADE AND SAW HEAD	Saw blade	Blade speed	39-149 rpm, by inverter	
		Number of teeth	40 or 60	
		OD x bore x T	18.1" x 1.97" x 0.11"	460 x 50 x 2.7 mm
MOTORS	Saw head	Feed drive	AC servo motor with ball screw	
	Saw blade motor	15 HP	11 kW	
	Hydraulic pump motor	2 HP	1.5 kW	
POWER REQUIREMENTS	Cut-to-length feed motor	3/4 HP, servo motor	0.5 kW, servo motor	
	Power supply voltage	AC220 ± 10%, 3 PH, 60 Hz (all other voltages require transformer)		
HYDRAULIC	Power requirement	32.5 kVA		
	Tank capacity	5.3 gal	20 liters	
MATERIAL INDEX	Index mechanism	Shuttle vise		
	Material index	AC servo motor and ball screw		
	Stroke	29.7"	755 mm	
	Length	0.78"-472.44" (multiple indexing)	20-12,000 mm (multiple indexing)	
	End trimming length	0.78"-1.57"	20-40 mm	
	Remnant length	1.77" plus index length	45 mm plus index length	
DIMENSIONS AND WEIGHT	Machine dimensions (W x L x H)	85.1" x 77.4" x 74.1"	2160 x 1967 x 1882 mm	
	Machine weight	7275 lb	3300 kg	

*Evenly distributed over entire table.

Floor Layout



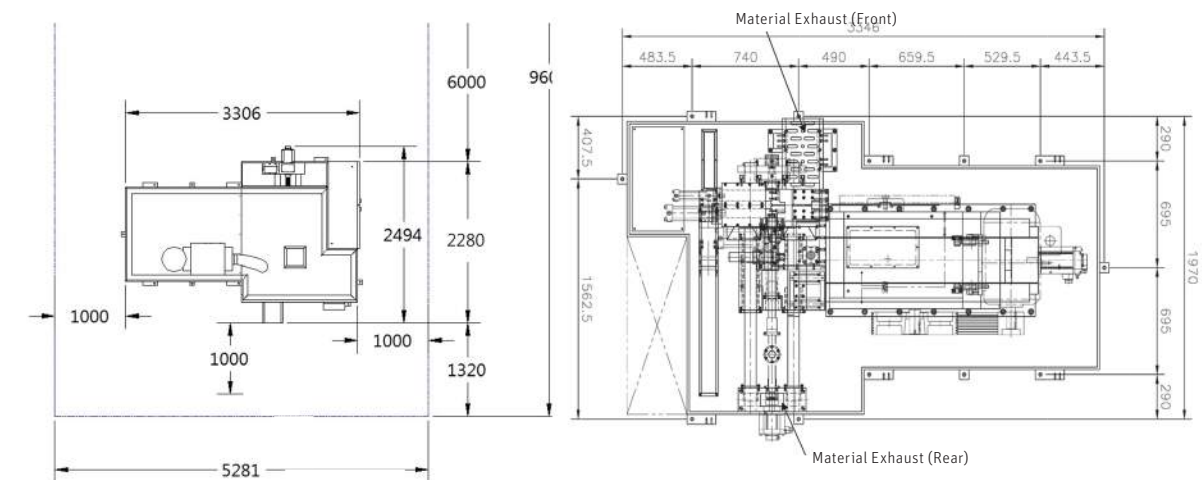


CMB230 Machine Specifications

CAPACITY	Cutting capacity	Round (diameter)	3.15"-9.0"	80-230 mm
		Rectangle (W x H)	3.15" x 3.15"-6.3" x 6.3"	80 x 80-160 x 160 mm
	Table height		37.4"	950 mm
BLADE AND SAW HEAD	Saw blade	Blade speed	25-100 rpm, by inverter	
		Number of teeth	50, 60, or 80	
		OD x bore x T	29.5" x 3.15" x 0.15"	
	Saw head	Feed drive	AC servo motor	
MOTORS	Saw blade motor	50 HP	37 kW	
	Hydraulic pump motor	5 HP	3.7 kW	
	Sawhead feed motor	9.4 HP, servo motor	7 kW, servo	
	Bar feed motor	4.7 HP, servo	3.5 kW, servo	
	Wire brush motor	0.08 HP, servo	0.06 kW, servo	
POWER REQUIREMENTS	Power supply voltage	AC220 ± 10%, 3 PH, 60 Hz (all other voltages require transformer)		
	Power requirement	60 kVA		
HYDRAULIC	Tank capacity	10.5 gal	40 liters	
	Feeding vise stroke length		19.69"	500 mm
	Minimum cut-off length		0.78"	20 mm
	Minimum remnant length		5.7" plus length of parts	145 mm plus length of parts
DIMENSIONS AND WEIGHT	Machine dimensions (W x L x H)		85.1" x 77.4" x 74.1"	2160 x 1967 x 1882 mm
	Machine weight		18,739 lb	8500 kg
	Loader weight		12,125 lb	5500 kg

*Evenly distributed over entire table.

Floor Layout





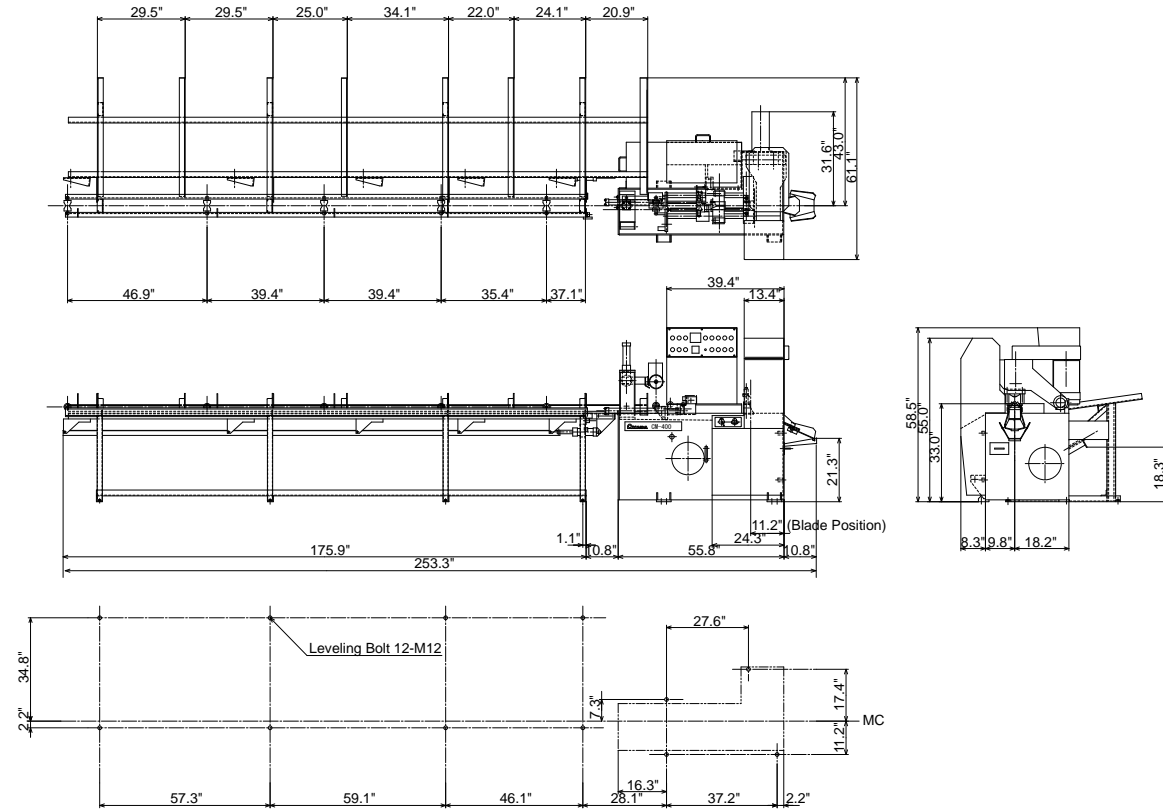
CM400 Machine Specifications

CAPACITY	Cutting capacity	Bars (diameter)	0.394"-2.36"	10-60 mm
		Tubes (diameter)	0.394"-3.54"	10-90 mm
	Maximum stock table loading capacity (L x D)	20' x 2.4" round bars	6000 x 60 mm	
		20' x 3.5" tubes or 4410 lb*	6000 x 90 mm or 2000 kg*	
Incline table dimensions (L x W)	78.74"-236.22" (L) x 39.37" (W)	2000-6000 mm (L) x 1000 mm (W)		
BLADE AND SAW HEAD	Saw blade	Blade speed	14, 18, 25, 32 rpm	
		Number of teeth	70-220	
		OD x bore x T	11"-12.4" x 1.26" x 0.10"-0.12" 280-315 x 32 x 2.5-3 mm	
	Saw head	Feed drive	Hydraulic cylinder	
MOTORS	Saw blade motor	3 HP	2.2 kW	
	Hydraulic pump motor	3 HP	2.2 kW	
	Cut-to-length feed motor	1/4 HP	0.18 kW	
	Work feed roller motor	0.42 HP	0.4 kW	
POWER REQUIREMENTS	Power supply voltage	AC220 ± 10%, 3 PH, 60 Hz (all other voltages require transformer)		
	Power requirement	9 kVA		
HYDRAULIC	Tank capacity	15.9 gal	60 liters	
	Index mechanism	Shuttle vise		
MATERIAL INDEX	Length	0.20"-15.75"	5-400 mm	
	End trimming length	0.394"	10 mm	
	Remnant length	0.394" plus cut-off length	10 mm plus cut-off length	
DIMENSIONS AND WEIGHT	Machine dimensions (W x L x H)	61.1" x 253.3" x 58.5"	1522 x 6435 x 1486 mm	
	Machine weight	3308 lb (machine unit) 662 lb (work feeding unit)	1500 kg (machine unit) 300 kg (work feeding unit)	

*Evenly distributed over entire table.

CMB400

Floor Layout



SAWING TECHNOLOGY

Chip Compactor

Amada offers a range of optional products, service products and other machines—such as pipe cutters and chip compactors—that enhance our saws' performance and longevity. They also help you maintain a cleaner environment and utilize resources and materials more efficiently. Visit our website at www.amadamt.com to see the complete lineup.



SCP103H Automatic Chip Compactor

Equipped with a 100-ton ram, this powerful compactor can reduce the area required for chip storage by up to 5:1 (for grinding swarf) and up to 20:1 (for machining chips). This yields significant space savings and reduced transportation costs for scrap haulers. It can also deliver greater value by improving yields when recycling the material.



Aggressive Auger Design for Efficient Processing



Large Hopper Capacity



Highly Compacted Chips

Features

>5% Fluid Remains—Fluid retrieval rates from Amada chip compactors are greater than 95%. Compaction reduces waste and environmental hazards, and contributes to a safer and cleaner workplace.

Increased Efficiency—With the unique cross vertical and horizontal augers, the compactor can feed various shapes of chips smoothly in the compaction chamber. This design eliminates “bridging” or chip cavities in the hopper.

Operator Safety—The machine is equipped with a safety interlock switch that controls the hopper, augers, and discharge. The auto-shutoff feature turns the compactor off when the hopper is empty, which contributes to a safer work environment, reduces energy consumption, and improves machine longevity.

Optional Accessories

- 55-gallon extension hopper
- Chip conveyor system (inlet/outlet)

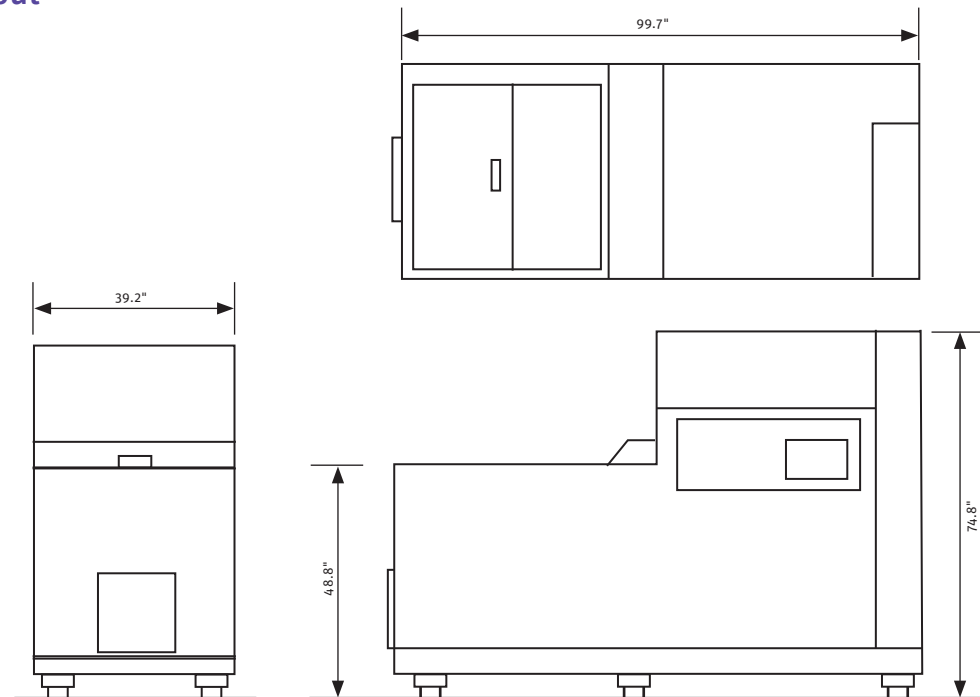
SCP103H

See Amada Saws at Work

SCP103H Machine Specifications

APPLICATION	Application	Cast iron, copper, bronze, stainless steel	
	Suitable chips for compaction	Chip, curled	
	Press force	110 US tons	100 metric tons
	Compacted briquette size (diameter)	3.15"	80 mm
	Compaction pressure	200 MPa at 3.15" dia. (29,008 psi)	200 MPa at 80 mm dia. (2039 kgf/cm ²)
	Hopper capacity	26.4 gal	100 liters
MOTORS	Hydraulic motor	10 HP	7 kW
	Screw motors	Vertical 1 HP	Vertical 0.75 x 4 kW x P
		Horizontal 1/2 HP	Horizontal 0.4 x 4 kW x P
POWER REQUIREMENTS	Power supply voltage	AC220 ± 10%, 3 PH, 60 Hz (all other voltages require transformer)	
	Power requirement	8.2 kVA	
DIMENSIONS AND WEIGHT	Machine dimensions (W x L x H)	39.1" x 99.6" x 74.7"	995 x 2531 x 1897 mm
	Machine weight	46.9"	1187 mm
	Hopper height	4410 lb	2000 kg

Floor Layout



The AMTA Technical Center was created to provide a unique atmosphere for visitors to experience the latest manufacturing technology in action. This stunning 40,000-square-foot facility houses the latest Amada technology in each product group. Much more than just an exhibit, every machine, automation accessory, and software program in the facility is fully operational and ready to empower customers to solve their most challenging manufacturing applications.

Specifications, appearance and dimensions are subject to change without notice at the sole discretion of Amada's Engineering Department.

There may be differences between the specifications described in this catalog and the Amada products actually shipped. Please ask our staff for more detail.

The products in the catalog may be subject to the provisions of foreign exchange and the Foreign Trade Law. When exporting cargo subject to such controls, permission pursuant to regulation is required. Please contact our business representative in advance when exporting products overseas.

When using our products, safety equipment is required depending on the operational task.

For safe and correct operation, ensure thorough reference to the Instruction Manual prior to operation.

The cutting performance data in this catalog may be affected by temperature, the cutting materials, tool materials, and cutting conditions, etc. Please note that such data are not guaranteed.

AMADA MACHINE TOOLS AMERICA, INC.

www.amadamt.com

MAIN OFFICE

2324 Palmer Drive
Schaumburg, IL 60173
tel (847) 285-4800
fax (847) 519-2127

BRANCH OFFICE

7025 Firestone Blvd
Buena Park, CA 90621
tel (714) 739-2111

BANDSAW AND BLADE BUSINESS

bandsaws@amadamt.com
bladeorders@amadamt.com
bandsawparts@amadamt.com
bandsawservice@amadamt.com

GRINDER BUSINESS

grinders@amadamt.com
grinderparts@amadamt.com
grinderservice@amadamt.com